



SCC2600A-2

履带起重机

品质改变世界 Quality Changes the World



最大起重力矩：236×6=1416t·m

最长主臂：85m

最长主臂 + 固定副臂：73m+31m

最长主臂 + 变幅副臂：58m+58m

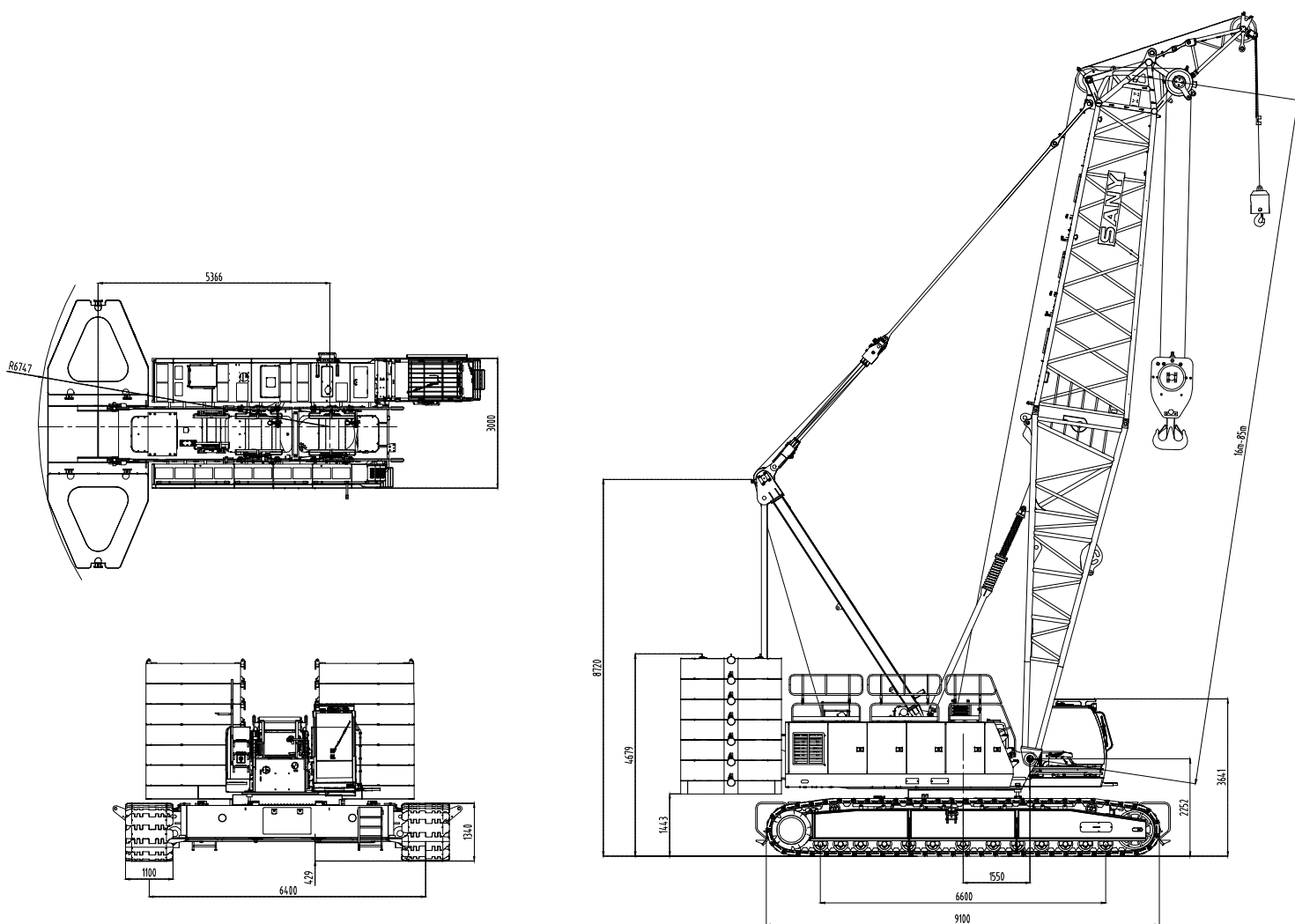
推介书内的参数和图片仅供参考，具体以实际配置为准。

■ www.sany.com.cn

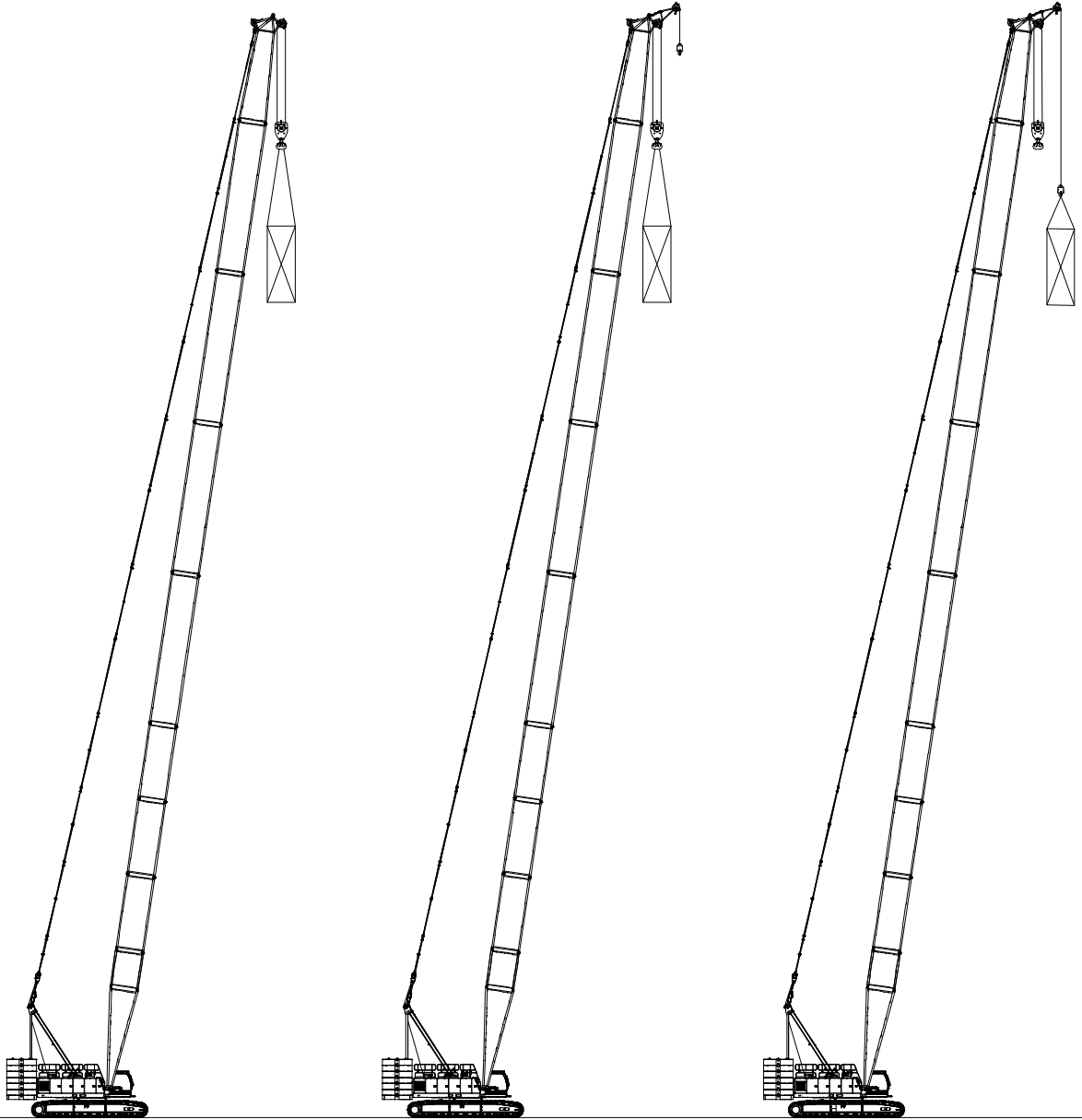
版本：V1.0

单位 :mm

整机基本尺寸



工况组合



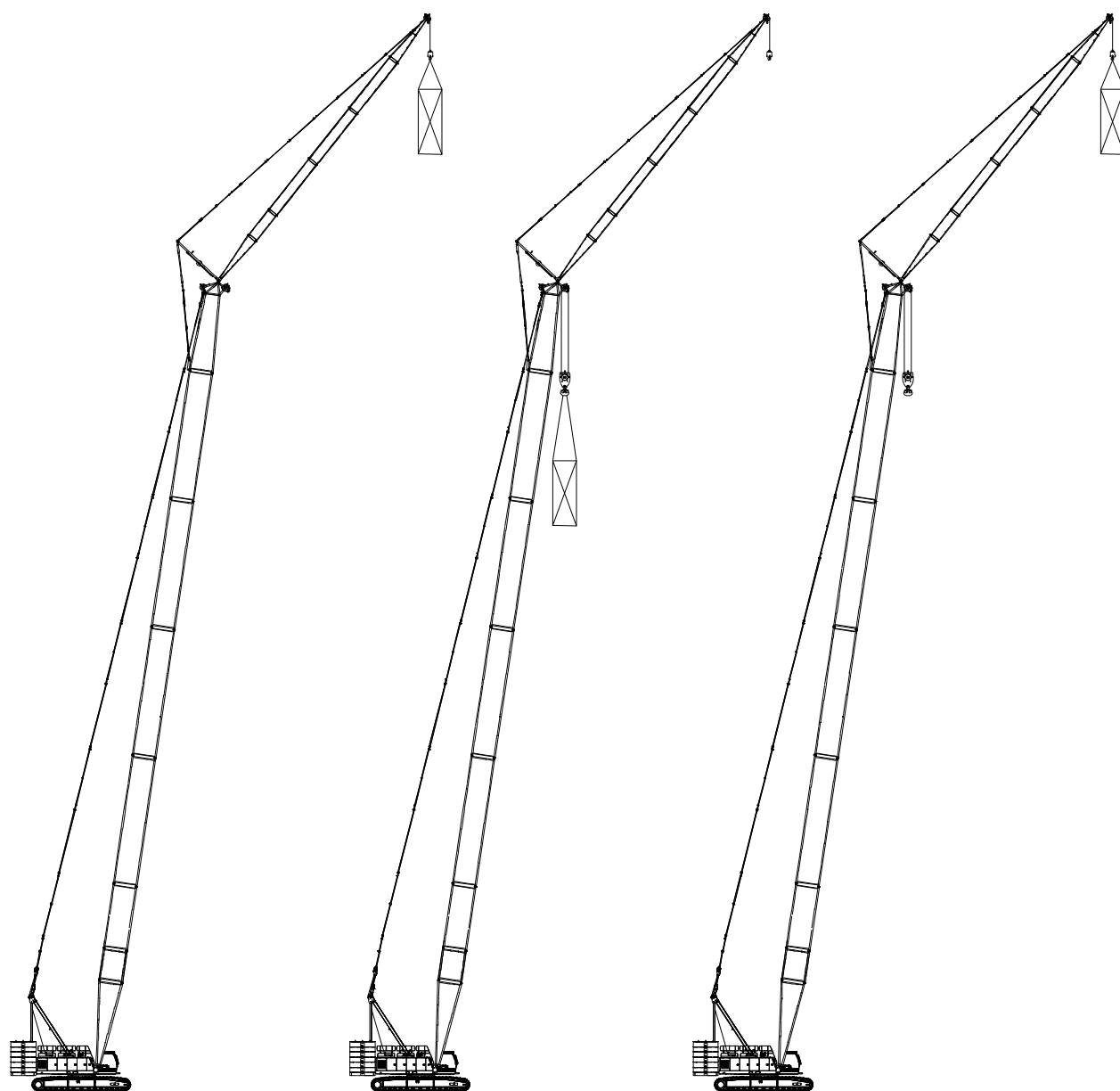
主臂H工况

主臂加长臂HCm工况
(双钩, 主钩带载)主臂加长臂HCa工况
(双钩, 副钩带载)

| 工况 | 臂架组合 | 臂长 |
|-----|---------------------|---------|
| H | 主臂 | 16m-85m |
| HCm | 主臂 + 加长臂 (双钩, 主钩带载) | |
| HCa | 主臂 + 加长臂 (双钩, 副钩带载) | |

注: 以上示意图仅做工况吊载情况参考。

工况组合



固定副臂FJ工况
(单钩)

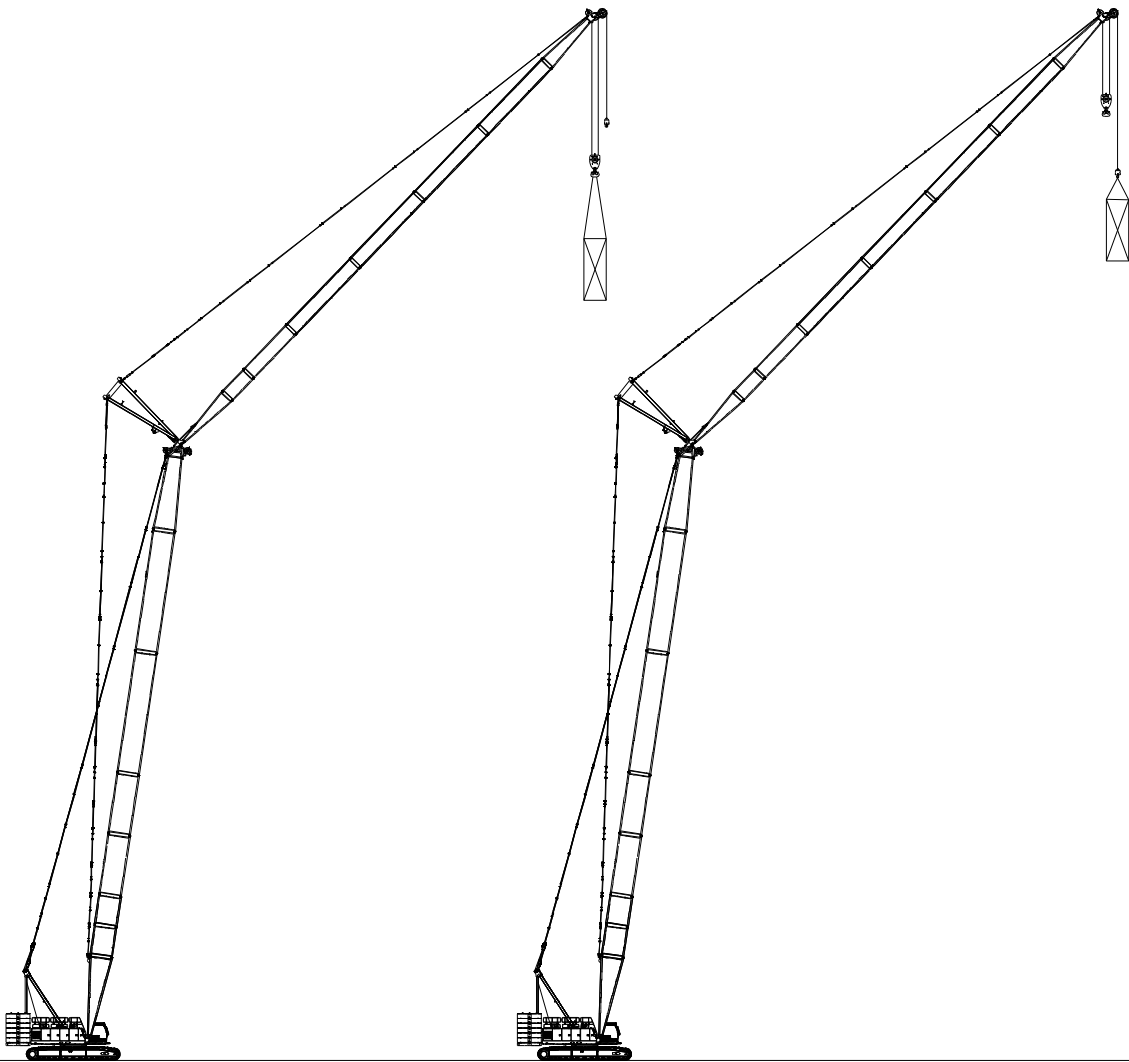
固定副臂FJm工况
(双钩, 主钩带载)

固定副臂FJa工况
(双钩, 副钩带载)

| 工况 | 臂架组合 | 臂长 |
|-----|----------------------|-----------------------|
| FJ | 主臂 + 固定副臂 (单钩) | (28m-73m) + (13m-31m) |
| FJm | 主臂 + 固定副臂 (双钩, 主钩带载) | |
| FJa | 主臂 + 固定副臂 (双钩, 副钩带载) | |

注：以上示意图仅做工况吊载情况参考。

工况组合



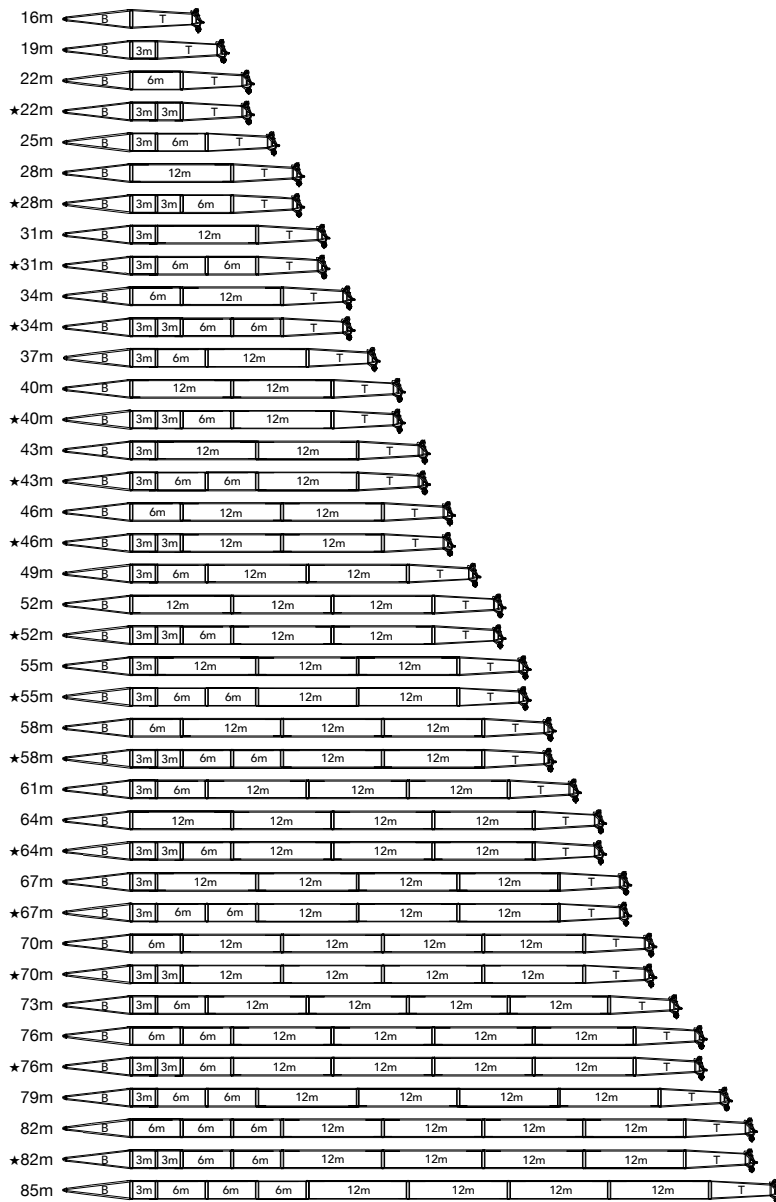
变幅副臂LJ工况
(双钩, 变幅副臂吊钩带载)

变幅副臂LJa工况
(双钩, 变幅副臂加长臂吊钩带载)

| 工况 | 臂架组合 | 臂长 |
|-----|-----------------------------|-----------------------|
| LJ | 主臂 + 变幅副臂 (双钩, 变幅副臂吊钩带载) | (25m-58m) + (22m-58m) |
| LJa | 主臂 + 变幅副臂 (双钩, 变幅副臂加长臂吊钩带载) | |

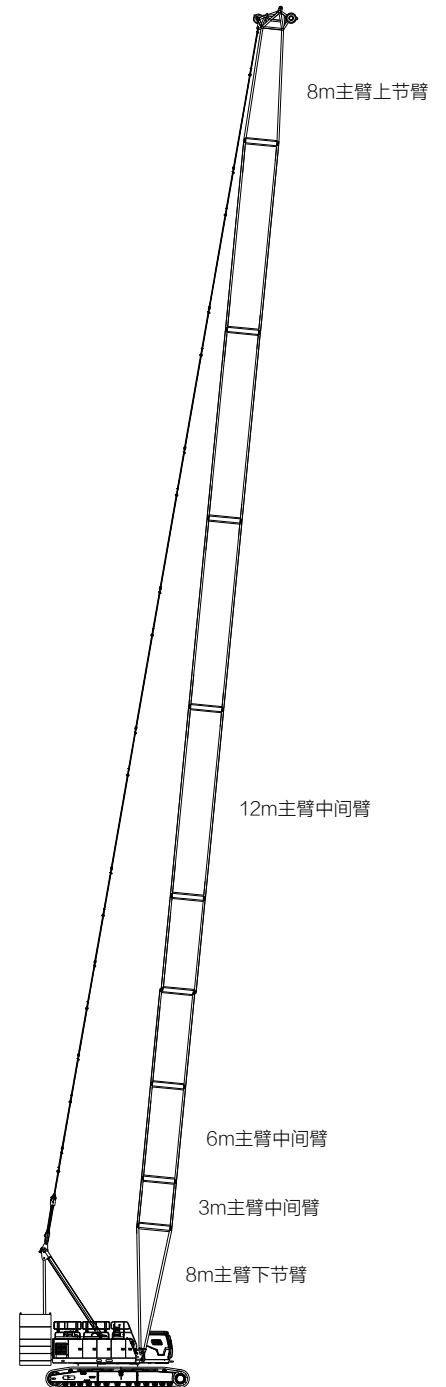
注: 以上示意图仅做工况吊载情况参考。

H工况臂架组合



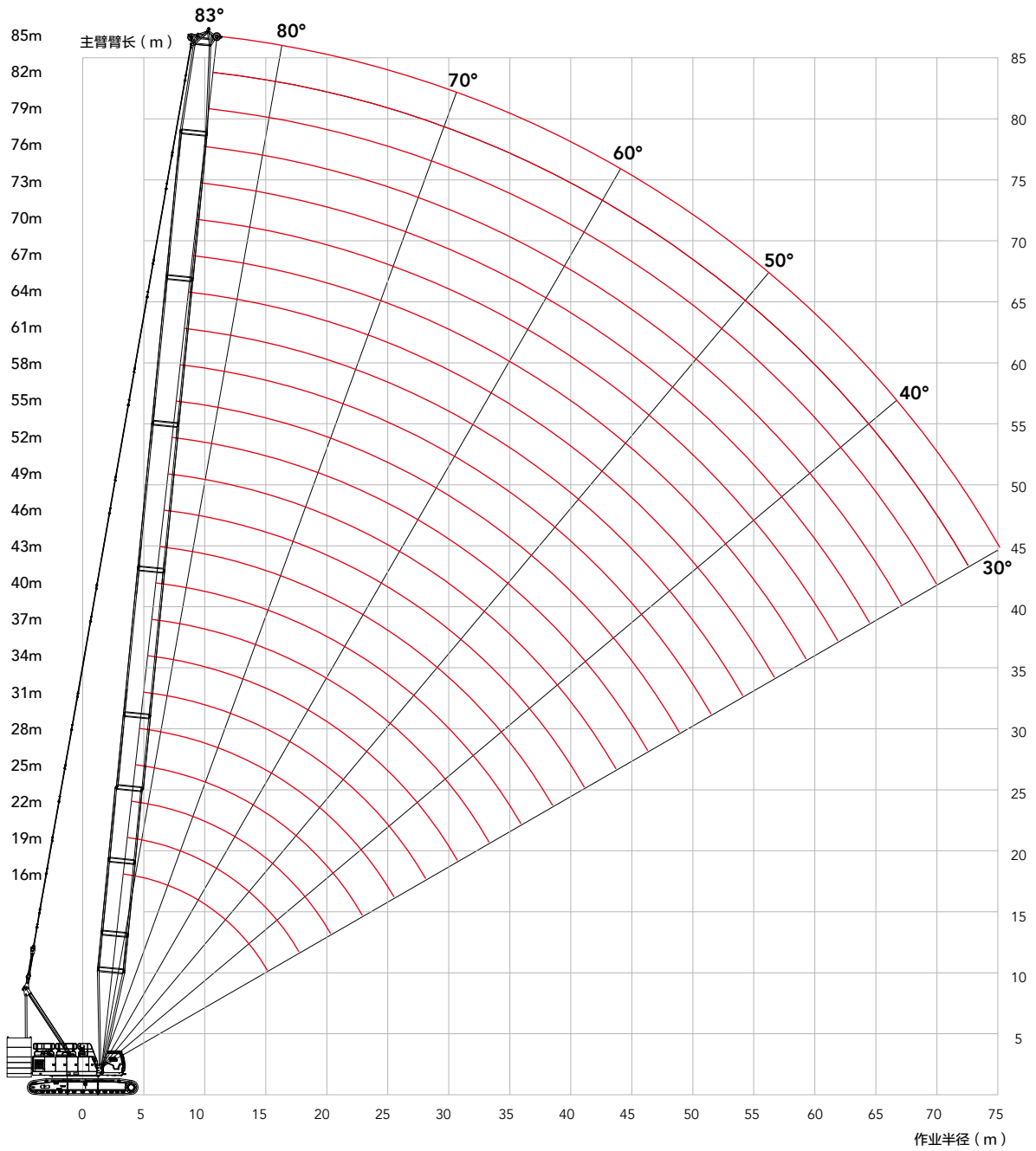
注：★代表推荐购买组合。

| | | |
|--|-----|----------|
| | 8m | 主臂下节臂 |
| | 8m | 主臂上节臂 |
| | 3m | 3m主臂中间臂 |
| | 6m | 6m主臂中间臂 |
| | 12m | 12m主臂中间臂 |



主臂 H 工况：
16m-85m

主臂工况作业范围图



单位：t

H工况载荷表

说明：

- ①. 载荷表中的额定载荷计算符合 EN13000;
- ②. 工作半径是载荷重心到回转中心的水平距离;
- ③. 实际起重量是表中的额定起重量中减去起重钩等一切吊具之后的值;
- ④. 载荷值是在重物自由悬挂状态下, 未考虑风载对吊重的影响、地面状况、地面坡度、操作速度以及其它任何对设备安全操作有负面影响的因素。因此, 操作手有责任判断当前情况, 相应地降低载荷并减慢速度;
- ⑤. 表中所示额定起重量是在水平坚硬地面上、重物在非行走时缓慢平稳起吊的值(坡度不超过 1%);
- ⑥. 下表中的倍率是按单绳力 13.5t 设计的;
- ⑦. HCm、HCa 工况载荷表详见说明书。

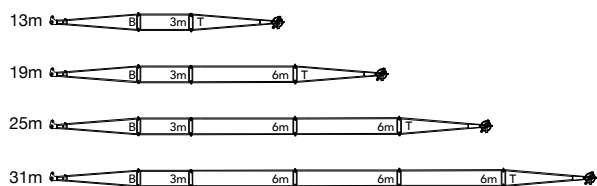
SCC2600A-2 履带起重机 -H 工况载荷表 1/2

| 主钩, 主臂 16~85m, 不带加长臂 | | | | | | | | | | | | | |
|----------------------|-------|-------|-------|-------|-------|-------|-------|-------|-------|-------|-------|-------|------------------|
| 臂长 (m) 半径 (m) | 16 | 19 | 22 | 25 | 28 | 31 | 34 | 37 | 40 | 43 | 46 | 49 | 臂长 (m) 半径 (m) |
| 5 | 260.0 | | | | | | | | | | | | 5 |
| 6 | 236.0 | 216.0 | 202.0 | 189.0 | | | | | | | | | 6 |
| 7 | 197.0 | 197.0 | 197.0 | 186.0 | 175.5 | 162.0 | 148.5 | | | | | | 7 |
| 8 | 169.0 | 169.0 | 169.0 | 167.0 | 162.0 | 157.0 | 148.5 | 135.0 | 121.5 | | | | 8 |
| 9 | 148.0 | 148.0 | 148.0 | 145.0 | 141.0 | 136.0 | 133.0 | 129.0 | 121.5 | 108.0 | 108.0 | 94.5 | 9 |
| 10 | 132.0 | 131.0 | 131.0 | 127.0 | 124.0 | 121.0 | 118.0 | 115.0 | 112.0 | 108.0 | 106.0 | 94.5 | 10 |
| 12 | 101.0 | 101.0 | 101.0 | 101.0 | 100.0 | 98.4 | 96.3 | 94.1 | 92.1 | 90.1 | 88.2 | 86.3 | 12 |
| 14 | 82.0 | 81.9 | 81.9 | 81.8 | 81.8 | 81.6 | 81.0 | 79.3 | 77.8 | 76.3 | 74.8 | 73.3 | 14 |
| 16 | 67.2 | 68.3 | 68.3 | 68.2 | 68.1 | 68.0 | 67.9 | 67.7 | 67.2 | 65.9 | 64.7 | 63.5 | 16 |
| 18 | | 58.4 | 58.4 | 58.2 | 58.2 | 58.0 | 57.9 | 57.7 | 57.6 | 57.4 | 56.8 | 55.8 | 18 |
| 20 | | | 50.8 | 50.7 | 50.6 | 50.4 | 50.3 | 50.1 | 50.0 | 49.8 | 49.6 | 49.4 | 20 |
| 22 | | | | 44.7 | 44.7 | 44.5 | 44.4 | 44.2 | 44.0 | 43.8 | 43.7 | 43.5 | 22 |
| 24 | | | | | 39.9 | 39.7 | 39.5 | 39.3 | 39.2 | 39.0 | 38.8 | 38.6 | 24 |
| 26 | | | | | 35.9 | 35.7 | 35.6 | 35.4 | 35.2 | 35.0 | 34.8 | 34.6 | 26 |
| 28 | | | | | | 32.4 | 32.2 | 32.0 | 31.9 | 31.7 | 31.5 | 31.3 | 28 |
| 30 | | | | | | | 29.4 | 29.2 | 29.1 | 28.8 | 28.7 | 28.4 | 30 |
| 32 | | | | | | | | 26.7 | 26.6 | 26.4 | 26.2 | 26.0 | 32 |
| 34 | | | | | | | | 24.6 | 24.5 | 24.3 | 24.1 | 23.9 | 34 |
| 36 | | | | | | | | | 22.6 | 22.4 | 22.2 | 22.0 | 36 |
| 38 | | | | | | | | | | 20.7 | 20.6 | 20.3 | 38 |
| 40 | | | | | | | | | | | 19.1 | 18.8 | 40 |
| 44 | | | | | | | | | | | | 16.3 | 44 |
| 48 | | | | | | | | | | | | | 48 |
| 52 | | | | | | | | | | | | | 52 |
| 56 | | | | | | | | | | | | | 56 |
| 60 | | | | | | | | | | | | | 60 |
| 64 | | | | | | | | | | | | | 64 |
| 68 | | | | | | | | | | | | | 68 |
| 72 | | | | | | | | | | | | | 72 |
| 配重 (t) | 86+25 | 86+25 | 86+25 | 86+25 | 86+25 | 86+25 | 86+25 | 86+25 | 86+25 | 86+25 | 86+25 | 86+25 | 配重 (t) |
| 倍率 | 20 | 16 | 15 | 14 | 13 | 12 | 11 | 10 | 9 | 8 | 8 | 7 | 倍率 |

H工况载荷表

| SCC2600A-2 履带起重机 -H 工况载荷表 2/2 | | | | | | | | | | | | | |
|-------------------------------|-------|-------|-------|-------|-------|-------|-------|-------|-------|-------|-------|-------|------------------|
| 主钩, 主臂 16~85m, 不带加长臂 | | | | | | | | | | | | | |
| 臂长 (m) 半径 (m) | 52 | 55 | 58 | 61 | 64 | 67 | 70 | 73 | 76 | 79 | 82 | 85 | 臂长 (m) 半径 (m) |
| 5 | | | | | | | | | | | | | 5 |
| 6 | | | | | | | | | | | | | 6 |
| 7 | | | | | | | | | | | | | 7 |
| 8 | | | | | | | | | | | | | 8 |
| 9 | | | | | | | | | | | | | 9 |
| 10 | 94.5 | 81.0 | 78.7 | | | | | | | | | | 10 |
| 12 | 84.5 | 81.0 | 78.1 | 67.5 | 64.0 | 58.2 | 53.2 | 48.4 | | | | | 12 |
| 14 | 71.9 | 70.5 | 69.2 | 67.5 | 63.6 | 57.7 | 52.4 | 47.3 | 42.8 | 38.8 | 35.2 | 32.0 | 14 |
| 16 | 62.4 | 61.2 | 60.1 | 59.0 | 58.0 | 56.2 | 50.7 | 45.8 | 41.4 | 37.5 | 33.9 | 30.7 | 16 |
| 18 | 54.9 | 53.9 | 53.0 | 52.0 | 51.1 | 50.2 | 49.1 | 44.2 | 39.9 | 36.1 | 32.7 | 29.5 | 18 |
| 20 | 48.8 | 48.0 | 47.2 | 46.3 | 45.6 | 44.8 | 44.0 | 42.8 | 38.5 | 34.8 | 31.4 | 28.4 | 20 |
| 22 | 43.3 | 43.1 | 42.4 | 41.6 | 40.9 | 40.2 | 39.5 | 38.8 | 37.3 | 33.6 | 30.2 | 27.2 | 22 |
| 24 | 38.5 | 38.2 | 38.0 | 37.7 | 37.1 | 36.4 | 35.8 | 35.1 | 34.5 | 32.3 | 29.1 | 26.2 | 24 |
| 26 | 34.5 | 34.2 | 34.0 | 33.8 | 33.6 | 33.1 | 32.5 | 31.9 | 31.4 | 30.8 | 28.2 | 25.2 | 26 |
| 28 | 31.1 | 30.9 | 30.7 | 30.5 | 30.3 | 30.1 | 29.8 | 29.2 | 28.6 | 28.1 | 26.9 | 24.2 | 28 |
| 30 | 28.3 | 28.0 | 27.8 | 27.6 | 27.4 | 27.2 | 27.0 | 26.8 | 26.3 | 25.7 | 25.2 | 23.2 | 30 |
| 32 | 25.8 | 25.6 | 25.4 | 25.2 | 25.0 | 24.7 | 24.5 | 24.3 | 24.1 | 23.7 | 23.2 | 22.3 | 32 |
| 34 | 23.7 | 23.5 | 23.2 | 23.0 | 22.8 | 22.6 | 22.4 | 22.1 | 21.9 | 21.7 | 21.3 | 20.9 | 34 |
| 36 | 21.8 | 21.6 | 21.4 | 21.1 | 20.9 | 20.7 | 20.5 | 20.2 | 20.0 | 19.8 | 19.6 | 19.2 | 36 |
| 38 | 20.2 | 19.9 | 19.7 | 19.5 | 19.3 | 19.0 | 18.8 | 18.6 | 18.4 | 18.1 | 17.9 | 17.6 | 38 |
| 40 | 18.7 | 18.4 | 18.2 | 18.0 | 17.8 | 17.6 | 17.3 | 17.1 | 16.9 | 16.6 | 16.4 | 16.1 | 40 |
| 44 | 16.1 | 15.9 | 15.7 | 15.4 | 15.3 | 15.0 | 14.8 | 14.5 | 14.3 | 14.1 | 13.8 | 13.6 | 44 |
| 48 | | 13.8 | 13.6 | 13.4 | 13.2 | 12.9 | 12.7 | 12.5 | 12.2 | 12.0 | 11.7 | 11.5 | 48 |
| 52 | | | 11.9 | 11.6 | 11.4 | 11.2 | 11.0 | 10.7 | 10.5 | 10.2 | 10.0 | 9.7 | 52 |
| 56 | | | | | 9.9 | 9.7 | 9.5 | 9.2 | 9.0 | 8.7 | 8.5 | 8.2 | 56 |
| 60 | | | | | | 8.4 | 8.2 | 7.9 | 7.7 | 7.4 | 7.2 | 6.9 | 60 |
| 64 | | | | | | | | 6.8 | 6.6 | 6.3 | 6.1 | 5.8 | 64 |
| 68 | | | | | | | | | | 5.3 | 5.1 | 4.8 | 68 |
| 72 | | | | | | | | | | | 4.2 | 4.0 | 72 |
| 配重 (t) | 86+25 | 86+25 | 86+25 | 86+25 | 86+25 | 86+25 | 86+25 | 86+25 | 86+25 | 86+25 | 86+25 | 86+25 | 配重 (t) |
| 倍率 | 7 | 6 | 6 | 5 | 5 | 5 | 4 | 4 | 4 | 3 | 3 | 3 | 倍率 |

FJ工况臂架组合

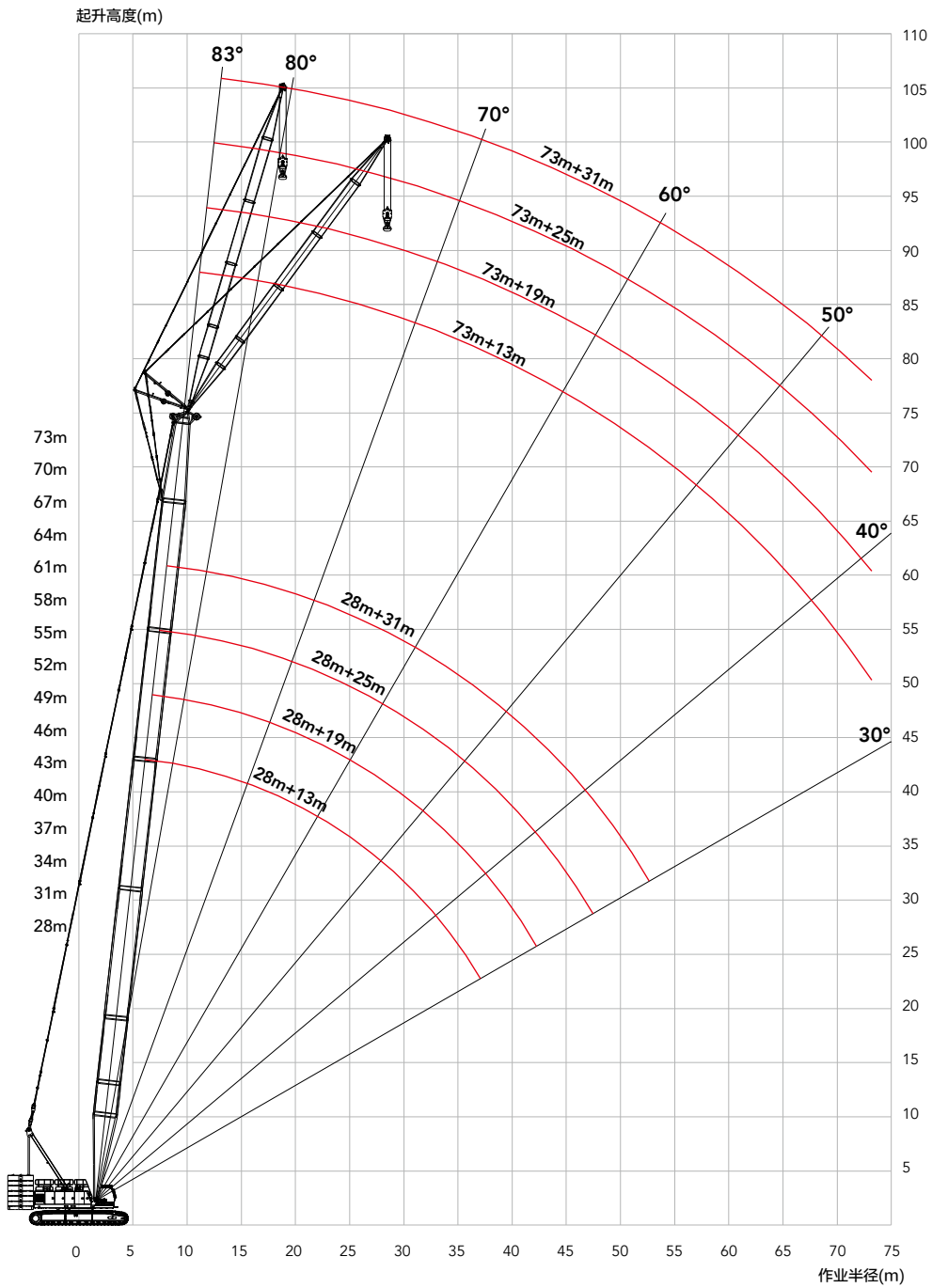


| | | |
|--|----|---------|
| | 5m | 固定副臂下节臂 |
| | 5m | 固定副臂上节臂 |
| | 6m | 6m副臂中间臂 |
| | 3m | 3m副臂中间臂 |



固定副臂 FJ 工况：
(28m-73m)+(13m-31m)

FJ 作业范围图



单位: t

FJ工况载荷表

说明:

- ①. 载荷表中的额定载荷计算符合 EN13000;
- ②. 工作半径是载荷重心到回转中心的水平距离;
- ③. 实际起重量是表中的额定起重量中减去起重钩等一切吊具之后的值;
- ④. 载荷值是在重物自由悬挂状态下, 未考虑风载对吊重的影响、地面状况、地面坡度、操作速度以及其它任何对设备安全操作有负面影响的因素。因此, 操作手有责任判断当前情况, 相应地降低载荷并减慢速度;
- ⑤. 表中所示额定起重量是在水平坚硬地面上、重物在非行走时缓慢平稳起吊的值(坡度不超过1%);
- ⑥. 下表中的倍率是按单绳力 13.5t 设计的;
- ⑦. FJm、FJa 工况载荷表详见说明书。

SCC2600A-2 履带起重机 - 固定副臂 FJ 工况 1/8

副钩, 主臂 28~73m, 副臂 13m, 主副臂夹角 10°, 不带主钩

| 臂长 (m) 半径 (m) | 28 | 31 | 34 | 37 | 40 | 43 | 46 | 49 | 52 | 55 | 58 | 61 | 64 | 67 | 70 | 73 | 臂长 (m) 半径 (m) |
|------------------|-------|-------|-------|-------|-------|-------|-------|-------|-------|-------|-------|-------|-------|-------|-------|-------|------------------|
| 12 | 36.3 | 36.3 | | | | | | | | | | | | | | | 12 |
| 14 | 34.9 | 35.4 | 35.5 | 35.8 | 35.5 | 35.6 | | | | | | | | | | | 14 |
| 16 | 33.3 | 33.7 | 34.3 | 34.4 | 34.7 | 34.8 | 34.8 | 34.6 | 34.6 | 34.5 | | | | | | | 16 |
| 18 | 32.0 | 32.5 | 32.9 | 33.2 | 33.3 | 33.6 | 33.7 | 33.8 | 33.8 | 33.6 | 33.4 | 33.1 | 32.7 | 32.1 | | | 18 |
| 20 | 30.6 | 31.2 | 31.7 | 32.1 | 32.4 | 32.5 | 32.7 | 32.9 | 33.0 | 32.7 | 32.6 | 32.5 | 32.3 | 31.6 | 27.0 | 27.0 | 20 |
| 22 | 30.1 | 30.2 | 30.5 | 30.9 | 31.2 | 31.7 | 31.8 | 32.0 | 32.0 | 32.0 | 32.0 | 31.7 | 31.6 | 31.4 | 27.0 | 27.0 | 22 |
| 24 | 29.0 | 29.8 | 29.6 | 30.1 | 30.5 | 30.8 | 30.9 | 31.0 | 31.3 | 31.2 | 31.1 | 31.1 | 31.0 | 30.7 | 27.0 | 27.0 | 24 |
| 26 | 27.7 | 28.7 | 29.2 | 29.1 | 29.6 | 29.9 | 30.2 | 30.3 | 30.5 | 30.5 | 30.5 | 30.5 | 30.4 | 30.1 | 27.0 | 27.0 | 26 |
| 28 | 26.1 | 27.4 | 28.5 | 29.1 | 28.6 | 29.2 | 29.2 | 29.7 | 29.7 | 29.8 | 29.8 | 29.7 | 29.4 | 29.0 | 27.0 | 27.0 | 28 |
| 30 | 24.6 | 25.9 | 27.1 | 28.3 | 28.8 | 28.7 | 28.6 | 28.5 | 28.4 | 28.3 | 28.1 | 27.8 | 27.3 | 26.8 | 26.3 | 25.8 | 30 |
| 32 | 23.3 | 24.6 | 25.7 | 26.9 | 26.9 | 26.7 | 26.5 | 26.2 | 26.1 | 25.8 | 25.6 | 25.4 | 25.2 | 24.7 | 24.2 | 23.8 | 32 |
| 34 | 22.2 | 23.4 | 24.5 | 24.9 | 24.8 | 24.5 | 24.3 | 24.1 | 23.9 | 23.7 | 23.4 | 23.2 | 23.0 | 22.8 | 22.4 | 21.9 | 34 |
| 36 | 21.2 | 22.3 | 23.3 | 23.0 | 22.9 | 22.6 | 22.4 | 22.2 | 22.0 | 21.8 | 21.5 | 21.3 | 21.1 | 20.9 | 20.7 | 20.0 | 36 |
| 38 | 20.4 | 21.4 | 21.6 | 21.4 | 21.2 | 20.9 | 20.7 | 20.5 | 20.3 | 20.1 | 19.8 | 19.6 | 19.4 | 19.2 | 18.5 | 17.1 | 38 |
| 40 | | 20.0 | 19.9 | 19.5 | 19.3 | 19.1 | 18.9 | 18.6 | 18.3 | 18.1 | 17.9 | 17.6 | 16.9 | 16.4 | 15.8 | 15.2 | 40 |
| 44 | | | | 17.2 | 16.8 | 16.6 | 16.4 | 16.2 | 15.9 | 15.6 | 15.5 | 15.1 | 14.9 | 14.7 | 14.3 | 13.8 | 44 |
| 48 | | | | | 14.8 | 14.6 | 14.4 | 14.1 | 13.9 | 13.6 | 13.4 | 13.1 | 12.9 | 12.7 | 12.4 | 11.0 | 48 |
| 52 | | | | | | | 12.7 | 12.4 | 12.2 | 11.9 | 11.8 | 11.4 | 11.2 | 11.0 | 10.7 | 9.3 | 52 |
| 56 | | | | | | | | 11.0 | 10.7 | 10.5 | 10.3 | 9.9 | 9.7 | 9.4 | 9.2 | 8.4 | 56 |
| 60 | | | | | | | | | | 9.2 | 8.9 | 8.6 | 8.4 | 8.0 | 7.8 | 7.0 | 60 |
| 64 | | | | | | | | | | | 7.8 | 7.5 | 7.2 | 6.9 | 6.7 | 6.0 | 64 |
| 68 | | | | | | | | | | | | | 6.2 | 5.9 | 5.7 | 4.5 | 68 |
| 72 | | | | | | | | | | | | | | 5.0 | 4.7 | 4.0 | 72 |
| 配重 (t) | 86+25 | 86+25 | 86+25 | 86+25 | 86+25 | 86+25 | 86+25 | 86+25 | 86+25 | 86+25 | 86+25 | 86+25 | 86+25 | 86+25 | 86+25 | 86+25 | 配重 (t) |
| 倍率 | 3 | 3 | 3 | 3 | 3 | 3 | 3 | 3 | 3 | 3 | 3 | 3 | 3 | 3 | 2 | 2 | 倍率 |

FJ工况载荷表

| SCC2600A-2 履带起重机 - 固定副臂 FJ 工况 2/8 | | | | | | | | | | | | | | | | | |
|--|-------|-------|-------|-------|-------|-------|-------|-------|-------|-------|-------|-------|-------|-------|-------|-------|------------------|
| 副钩, 主臂 28~73m, 副臂 19m, 主副臂夹角 10°, 不带主钩 | | | | | | | | | | | | | | | | | |
| 臂长 (m) 半径 (m) | 28 | 31 | 34 | 37 | 40 | 43 | 46 | 49 | 52 | 55 | 58 | 61 | 64 | 67 | 70 | 73 | 臂长 (m) 半径 (m) |
| 14 | 28.0 | 28.3 | | | | | | | | | | | | | | | 14 |
| 16 | 26.8 | 27.1 | 27.3 | 27.3 | 27.4 | 27.5 | | | | | | | | | | | 16 |
| 18 | 25.7 | 26.0 | 26.3 | 26.4 | 26.6 | 26.7 | 26.7 | 26.6 | 26.7 | 26.6 | | | | | | | 18 |
| 20 | 24.8 | 25.2 | 25.3 | 25.5 | 25.7 | 25.9 | 26.0 | 26.0 | 25.9 | 25.9 | 25.9 | 25.8 | 25.5 | 25.3 | | | 20 |
| 22 | 23.5 | 24.1 | 24.4 | 24.8 | 24.9 | 25.2 | 25.3 | 25.3 | 25.3 | 25.3 | 25.2 | 25.1 | 25.0 | 24.8 | 24.6 | 23.9 | 22 |
| 24 | 22.5 | 23.1 | 23.5 | 24.0 | 24.3 | 24.4 | 24.6 | 24.7 | 24.7 | 24.7 | 24.7 | 24.7 | 24.6 | 24.3 | 24.2 | 23.4 | 24 |
| 26 | 21.5 | 22.1 | 22.5 | 22.9 | 23.3 | 23.7 | 23.9 | 24.0 | 24.1 | 24.2 | 24.2 | 24.2 | 24.0 | 23.9 | 23.8 | 23.0 | 26 |
| 28 | 20.7 | 21.3 | 21.7 | 22.1 | 22.5 | 23.0 | 23.2 | 23.4 | 23.6 | 23.6 | 23.6 | 23.6 | 23.6 | 23.4 | 23.3 | 22.5 | 28 |
| 30 | 19.9 | 20.4 | 20.9 | 21.4 | 21.7 | 22.1 | 22.4 | 22.6 | 22.8 | 23.1 | 23.1 | 23.1 | 23.1 | 23.0 | 22.9 | 22.1 | 30 |
| 32 | 19.1 | 19.7 | 20.3 | 20.7 | 21.0 | 21.4 | 21.7 | 22.0 | 22.3 | 22.4 | 22.6 | 22.7 | 22.7 | 22.6 | 22.6 | 21.6 | 32 |
| 34 | 18.6 | 19.1 | 19.5 | 20.0 | 20.5 | 20.8 | 21.1 | 21.5 | 21.7 | 21.8 | 22.1 | 22.1 | 22.3 | 22.2 | 21.8 | 21.2 | 34 |
| 36 | 17.8 | 18.5 | 18.9 | 19.4 | 19.7 | 20.1 | 20.5 | 20.9 | 21.1 | 21.3 | 21.5 | 21.6 | 21.7 | 21.4 | 21.1 | 20.5 | 36 |
| 38 | 17.2 | 17.8 | 18.4 | 18.8 | 19.2 | 19.6 | 20.0 | 20.3 | 20.5 | 20.7 | 20.5 | 20.2 | 20.1 | 19.8 | 19.6 | 19.2 | 38 |
| 40 | 16.5 | 17.3 | 18.0 | 18.8 | 19.5 | 19.8 | 19.7 | 19.5 | 19.4 | 19.1 | 18.9 | 18.7 | 18.5 | 18.2 | 17.8 | 17.7 | 40 |
| 44 | 15.3 | 16.0 | 16.7 | 17.4 | 17.6 | 17.4 | 17.2 | 16.9 | 16.7 | 16.5 | 16.3 | 16.1 | 15.9 | 15.7 | 15.5 | 15.4 | 44 |
| 48 | | | 15.5 | 15.6 | 15.5 | 15.2 | 15.0 | 14.8 | 14.6 | 14.4 | 14.2 | 13.9 | 13.7 | 13.5 | 13.3 | 13.1 | 48 |
| 52 | | | | 12.7 | 12.8 | 12.9 | 13.0 | 12.8 | 12.5 | 12.2 | 12.1 | 11.8 | 11.5 | 11.3 | 11.1 | 11.0 | 52 |
| 56 | | | | | | 11.7 | 11.5 | 11.3 | 11.1 | 10.8 | 10.6 | 10.3 | 10.1 | 9.8 | 9.6 | 9.4 | 56 |
| 60 | | | | | | | | 10.1 | 9.8 | 9.5 | 9.4 | 9.0 | 8.7 | 8.5 | 8.2 | 8.0 | 60 |
| 64 | | | | | | | | | 8.7 | 8.4 | 8.1 | 7.9 | 7.6 | 7.2 | 7.0 | 6.8 | 64 |
| 68 | | | | | | | | | | | 7.1 | 6.8 | 6.6 | 6.2 | 6.0 | 5.8 | 68 |
| 72 | | | | | | | | | | | | 5.9 | 5.7 | 5.3 | 5.1 | 4.8 | 72 |
| 76 | | | | | | | | | | | | | | 4.5 | 4.3 | 4.0 | 76 |
| 80 | | | | | | | | | | | | | | | 3.5 | 3.4 | 80 |
| 配重 (t) | 86+25 | 86+25 | 86+25 | 86+25 | 86+25 | 86+25 | 86+25 | 86+25 | 86+25 | 86+25 | 86+25 | 86+25 | 86+25 | 86+25 | 86+25 | 86+25 | 配重 (t) |
| 倍率 | 3 | 3 | 3 | 3 | 3 | 3 | 2 | 2 | 2 | 2 | 2 | 2 | 2 | 2 | 2 | 2 | 倍率 |

单位：t

FJ工况载荷表

| SCC2600A-2 履带起重机 - 固定副臂 FJ 工况 3/8 | | | | | | | | | | | | | | | | | |
|--|-------|-------|-------|-------|-------|-------|-------|-------|-------|-------|-------|-------|-------|-------|-------|-------|------------------|
| 副钩, 主臂 28~73m, 副臂 25m, 主副臂夹角 10°, 不带主钩 | | | | | | | | | | | | | | | | | |
| 臂长 (m) 半径 (m) | 28 | 31 | 34 | 37 | 40 | 43 | 46 | 49 | 52 | 55 | 58 | 61 | 64 | 67 | 70 | 73 | 臂长 (m) 半径 (m) |
| 16 | 20.6 | | | | | | | | | | | | | | | | 16 |
| 18 | 19.8 | 20.0 | 20.1 | 20.2 | 20.2 | 20.3 | | | | | | | | | | | 18 |
| 20 | 19.1 | 19.2 | 19.4 | 19.5 | 19.6 | 19.7 | 19.7 | 19.7 | 19.6 | 19.6 | 19.1 | 19.0 | | | | | 20 |
| 22 | 18.4 | 18.5 | 18.6 | 18.7 | 18.8 | 19.0 | 19.2 | 19.2 | 19.2 | 19.2 | 18.7 | 18.6 | 18.5 | 18.4 | 17.9 | 17.4 | 22 |
| 24 | 17.6 | 17.7 | 17.8 | 17.9 | 18.0 | 18.3 | 18.6 | 18.6 | 18.7 | 18.7 | 18.2 | 18.1 | 18.1 | 18.0 | 17.6 | 17.1 | 24 |
| 26 | 16.8 | 16.9 | 17.0 | 17.1 | 17.3 | 17.4 | 17.6 | 17.9 | 18.3 | 18.3 | 18.2 | 18.0 | 17.7 | 17.7 | 17.3 | 16.8 | 26 |
| 28 | 15.9 | 16.2 | 16.3 | 16.6 | 16.8 | 16.9 | 17.1 | 17.2 | 17.7 | 17.8 | 17.8 | 17.7 | 17.4 | 17.4 | 17.0 | 16.5 | 28 |
| 30 | 15.4 | 15.7 | 15.9 | 16.1 | 16.2 | 16.5 | 16.6 | 16.7 | 17.1 | 17.4 | 17.3 | 17.3 | 17.1 | 16.9 | 16.7 | 16.2 | 30 |
| 32 | 14.8 | 15.1 | 15.4 | 15.7 | 15.8 | 16.0 | 16.1 | 16.3 | 16.4 | 16.8 | 16.9 | 16.8 | 16.7 | 16.6 | 16.4 | 15.9 | 32 |
| 34 | 14.4 | 14.7 | 15.0 | 15.2 | 15.4 | 15.6 | 15.7 | 15.9 | 16.0 | 16.2 | 16.3 | 16.3 | 16.3 | 16.3 | 16.1 | 15.6 | 34 |
| 36 | 13.9 | 14.2 | 14.6 | 14.8 | 15.0 | 15.2 | 15.3 | 15.5 | 15.7 | 15.8 | 15.9 | 16.0 | 16.0 | 16.0 | 15.8 | 15.3 | 36 |
| 38 | 13.5 | 13.8 | 14.2 | 14.4 | 14.6 | 14.8 | 15.0 | 15.2 | 15.3 | 15.5 | 15.5 | 15.6 | 15.7 | 15.7 | 15.5 | 15.1 | 38 |
| 40 | 13.2 | 13.4 | 13.7 | 14.0 | 14.2 | 14.5 | 14.6 | 14.8 | 15.0 | 15.1 | 15.2 | 15.3 | 15.4 | 15.4 | 15.0 | 14.6 | 40 |
| 44 | 12.5 | 12.8 | 13.1 | 13.3 | 13.6 | 13.8 | 14.0 | 14.2 | 14.3 | 14.5 | 14.6 | 14.7 | 14.8 | 14.8 | 14.4 | 14.0 | 44 |
| 48 | 12.0 | 12.3 | 12.5 | 12.8 | 13.0 | 13.2 | 13.4 | 13.6 | 13.8 | 13.9 | 13.9 | 14.0 | 14.0 | 14.0 | 13.5 | 13.2 | 48 |
| 52 | | 11.7 | 12.0 | 12.3 | 12.5 | 12.7 | 12.9 | 13.1 | 13.2 | 13.0 | 12.8 | 12.5 | 12.4 | 12.1 | 11.9 | 11.6 | 52 |
| 56 | | | 12.0 | 11.9 | 12.1 | 12.2 | 12.0 | 11.8 | 11.6 | 11.4 | 11.2 | 11.0 | 10.8 | 10.6 | 10.4 | 10.2 | 56 |
| 60 | | | | | 9.9 | 10.1 | 10.2 | 10.3 | 10.1 | 9.8 | 9.6 | 9.4 | 9.2 | 8.8 | 8.6 | 8.4 | 60 |
| 64 | | | | | | 9.5 | 9.2 | 8.9 | 8.7 | 8.5 | 8.1 | 7.9 | 7.6 | 7.3 | 7.0 | | 64 |
| 68 | | | | | | | 8.2 | 7.9 | 7.7 | 7.5 | 7.1 | 6.9 | 6.6 | 6.3 | 5.7 | | 68 |
| 72 | | | | | | | | | 6.8 | 6.6 | 6.2 | 6.0 | 5.7 | 5.4 | 5.1 | | 72 |
| 76 | | | | | | | | | | | 5.4 | 5.1 | 4.9 | 4.6 | 4.2 | | 76 |
| 80 | | | | | | | | | | | | 4.4 | 4.1 | 3.8 | 3.5 | | 80 |
| 84 | | | | | | | | | | | | | | 3.2 | 3.0 | | 84 |
| 88 | | | | | | | | | | | | | | | | 2.2 | 88 |
| 配重 (t) | 86+25 | 86+25 | 86+25 | 86+25 | 86+25 | 86+25 | 86+25 | 86+25 | 86+25 | 86+25 | 86+25 | 86+25 | 86+25 | 86+25 | 86+25 | 86+25 | 配重 (t) |
| 倍率 | 2 | 2 | 2 | 2 | 2 | 2 | 2 | 2 | 2 | 2 | 2 | 2 | 2 | 2 | 2 | 2 | 倍率 |

FJ工况载荷表

| SCC2600A-2 履带起重机 - 固定副臂 FJ 工况 4/8 | | | | | | | | | | | | | | | | | |
|--|-------|-------|-------|-------|-------|-------|-------|-------|-------|-------|-------|-------|-------|-------|-------|-------|------------------|
| 副钩, 主臂 28~73m, 副臂 31m, 主副臂夹角 10°, 不带主钩 | | | | | | | | | | | | | | | | | |
| 臂长 (m) 半径 (m) | 28 | 31 | 34 | 37 | 40 | 43 | 46 | 49 | 52 | 55 | 58 | 61 | 64 | 67 | 70 | 73 | 臂长 (m) 半径 (m) |
| 18 | 13.6 | 13.6 | | | | | | | | | | | | | | | 18 |
| 20 | 13.2 | 13.2 | 13.3 | 13.3 | 13.2 | 13.2 | | | | | | | | | | | 20 |
| 22 | 12.7 | 12.8 | 12.8 | 12.9 | 12.9 | 12.9 | 12.9 | 12.9 | 12.9 | 12.8 | | | | | | | 22 |
| 24 | 12.3 | 12.3 | 12.4 | 12.5 | 12.5 | 12.5 | 12.5 | 12.6 | 12.6 | 12.5 | 12.5 | 12.4 | 12.3 | 12.2 | | | 24 |
| 26 | 11.9 | 11.9 | 12.0 | 12.1 | 12.1 | 12.2 | 12.2 | 12.2 | 12.2 | 12.2 | 12.2 | 12.1 | 12.0 | 11.9 | 11.8 | 11.6 | 26 |
| 28 | 11.5 | 11.6 | 11.7 | 11.7 | 11.8 | 11.8 | 11.9 | 11.9 | 11.9 | 11.9 | 11.9 | 11.8 | 11.8 | 11.7 | 11.5 | 11.3 | 28 |
| 30 | 11.1 | 11.2 | 11.3 | 11.4 | 11.5 | 11.5 | 11.6 | 11.6 | 11.6 | 11.6 | 11.6 | 11.6 | 11.5 | 11.4 | 11.3 | 11.1 | 30 |
| 32 | 10.8 | 10.9 | 11.0 | 11.1 | 11.1 | 11.2 | 11.3 | 11.3 | 11.3 | 11.3 | 11.4 | 11.3 | 11.3 | 11.2 | 11.1 | 10.9 | 32 |
| 34 | 10.5 | 10.5 | 10.7 | 10.7 | 10.8 | 10.9 | 11.0 | 11.0 | 11.1 | 11.1 | 11.1 | 11.1 | 11.0 | 11.0 | 10.9 | 10.7 | 34 |
| 36 | 10.2 | 10.2 | 10.4 | 10.5 | 10.6 | 10.6 | 10.7 | 10.7 | 10.8 | 10.8 | 10.8 | 10.8 | 10.8 | 10.7 | 10.6 | 10.5 | 36 |
| 38 | 9.9 | 10.0 | 10.1 | 10.2 | 10.3 | 10.3 | 10.4 | 10.5 | 10.5 | 10.6 | 10.6 | 10.6 | 10.6 | 10.5 | 10.4 | 10.3 | 38 |
| 40 | 9.6 | 9.7 | 9.8 | 9.9 | 10.0 | 10.1 | 10.2 | 10.2 | 10.3 | 10.3 | 10.4 | 10.4 | 10.4 | 10.3 | 10.2 | 10.1 | 40 |
| 44 | 9.0 | 9.2 | 9.4 | 9.4 | 9.5 | 9.6 | 9.7 | 9.8 | 9.8 | 9.9 | 9.9 | 9.9 | 9.9 | 9.9 | 9.9 | 9.7 | 44 |
| 48 | 8.5 | 8.8 | 9.0 | 9.0 | 9.1 | 9.2 | 9.3 | 9.3 | 9.4 | 9.5 | 9.5 | 9.5 | 9.6 | 9.5 | 9.5 | 9.4 | 48 |
| 52 | 8.1 | 8.3 | 8.5 | 8.7 | 8.8 | 8.8 | 8.9 | 9.0 | 9.0 | 9.1 | 9.2 | 9.2 | 9.2 | 9.2 | 9.2 | 9.1 | 52 |
| 56 | | 7.9 | 8.1 | 8.3 | 8.4 | 8.5 | 8.6 | 8.6 | 8.7 | 8.7 | 8.8 | 8.8 | 8.9 | 8.9 | 8.8 | 8.8 | 56 |
| 60 | | | 7.8 | 8.0 | 8.2 | 8.2 | 8.3 | 8.3 | 8.4 | 8.4 | 8.5 | 8.5 | 8.6 | 8.6 | 8.3 | 8.2 | 60 |
| 64 | | | | | 7.9 | 7.9 | 8.0 | 8.1 | 8.1 | 8.2 | 8.2 | 8.3 | 8.3 | 8.3 | 7.3 | 7.1 | 64 |
| 68 | | | | | | 7.8 | 7.8 | 7.8 | 7.9 | 7.9 | 8.0 | 7.1 | 6.9 | 6.6 | 6.3 | 6.2 | 68 |
| 72 | | | | | | | | | | 6.8 | 6.6 | 6.2 | 6.0 | 5.7 | 5.4 | 5.3 | 72 |
| 76 | | | | | | | | | | | | 5.4 | 5.1 | 4.9 | 4.6 | 4.5 | 76 |
| 80 | | | | | | | | | | | | | 4.4 | 4.1 | 3.8 | 3.9 | 80 |
| 84 | | | | | | | | | | | | | | | 3.4 | 3.2 | 84 |
| 88 | | | | | | | | | | | | | | | | 2.3 | 88 |
| 配重 (t) | 86+25 | 86+25 | 86+25 | 86+25 | 86+25 | 86+25 | 86+25 | 86+25 | 86+25 | 86+25 | 86+25 | 86+25 | 86+25 | 86+25 | 86+25 | 86+25 | 配重 (t) |
| 倍率 | 2 | 2 | 1 | 1 | 1 | 1 | 1 | 1 | 1 | 1 | 1 | 1 | 1 | 1 | 1 | 1 | 倍率 |

单位：t

FJ工况载荷表

| SCC2600A-2 履带起重机 - 固定副臂 FJ 工况 5/8 | | | | | | | | | | | | | | | | | |
|------------------------------------|-------|-------|-------|-------|-------|-------|-------|-------|-------|-------|-------|-------|-------|-------|-------|-------|----------------|
| 副钩，主臂 28~73m，副臂 13m，主副臂夹角 30°，不带主钩 | | | | | | | | | | | | | | | | | |
| 臂长(m) 半径(m) | 28 | 31 | 34 | 37 | 40 | 43 | 46 | 49 | 52 | 55 | 58 | 61 | 64 | 67 | 70 | 73 | 臂长(m) 半径(m) |
| 16 | 17.3 | 17.5 | | | | | | | | | | | | | | | 16 |
| 18 | 16.6 | 16.8 | 17.0 | 17.1 | 17.2 | 17.4 | | | | | | | | | | | 18 |
| 20 | 16.0 | 16.2 | 16.4 | 16.6 | 16.7 | 16.8 | 17.0 | 17.1 | 17.1 | 17.1 | | | | | | | 20 |
| 22 | 15.5 | 15.7 | 15.9 | 16.1 | 16.3 | 16.4 | 16.5 | 16.6 | 16.8 | 16.8 | 16.8 | 16.8 | 16.8 | 17.0 | | | 22 |
| 24 | 15.0 | 15.3 | 15.5 | 15.7 | 15.9 | 16.0 | 16.1 | 16.2 | 16.3 | 16.4 | 16.6 | 16.6 | 16.6 | 16.6 | 16.6 | 16.6 | 24 |
| 26 | 14.6 | 14.9 | 15.0 | 15.2 | 15.4 | 15.6 | 15.7 | 15.8 | 15.9 | 16.1 | 16.2 | 16.2 | 16.2 | 16.3 | 16.3 | 16.2 | 26 |
| 28 | 14.2 | 14.5 | 14.7 | 14.9 | 15.1 | 15.3 | 15.4 | 15.6 | 15.7 | 15.7 | 15.8 | 15.9 | 15.9 | 16.0 | 16.1 | 16.1 | 28 |
| 30 | 13.9 | 14.2 | 14.4 | 14.5 | 14.7 | 15.0 | 15.1 | 15.3 | 15.3 | 15.4 | 15.5 | 15.7 | 15.7 | 15.8 | 15.8 | 15.7 | 30 |
| 32 | 13.7 | 13.9 | 14.1 | 14.4 | 14.7 | 14.9 | 15.1 | 15.3 | 15.5 | 15.2 | 15.3 | 15.4 | 15.5 | 15.5 | 15.6 | 15.5 | 32 |
| 34 | 13.5 | 13.8 | 14.2 | 14.4 | 14.6 | 14.8 | 15.0 | 15.3 | 15.4 | 15.6 | 15.0 | 15.1 | 15.2 | 15.3 | 15.3 | 15.7 | 34 |
| 36 | 13.2 | 13.5 | 13.8 | 14.2 | 14.4 | 14.6 | 14.8 | 15.0 | 15.2 | 15.4 | 15.0 | 14.9 | 15.0 | 15.0 | 15.1 | 15.0 | 36 |
| 38 | 13.1 | 13.3 | 13.6 | 13.8 | 14.1 | 14.3 | 14.5 | 14.7 | 14.9 | 15.1 | 15.3 | 14.6 | 14.7 | 14.8 | 14.9 | 14.8 | 38 |
| 40 | | 13.1 | 13.3 | 13.6 | 13.8 | 14.0 | 14.2 | 14.4 | 14.6 | 14.8 | 15.1 | 15.3 | 14.5 | 14.3 | 14.0 | 13.8 | 40 |
| 44 | | | 12.7 | 12.9 | 13.1 | 13.4 | 13.6 | 13.8 | 14.0 | 14.1 | 14.1 | 13.9 | 13.7 | 13.5 | 12.6 | 12.5 | 44 |
| 48 | | | | | 12.6 | 12.8 | 12.9 | 12.7 | 12.6 | 12.3 | 12.2 | 12.0 | 11.8 | 11.6 | 11.5 | 11.3 | 48 |
| 52 | | | | | | 11.5 | 11.4 | 11.2 | 11.0 | 10.8 | 10.6 | 10.4 | 10.3 | 10.0 | 9.9 | 9.8 | 52 |
| 56 | | | | | | | | 9.8 | 9.6 | 9.4 | 9.3 | 9.1 | 8.9 | 8.6 | 8.5 | 8.6 | 56 |
| 60 | | | | | | | | | 8.5 | 8.2 | 8.1 | 7.9 | 7.7 | 7.4 | 7.2 | 7.0 | 60 |
| 64 | | | | | | | | | | | 7.0 | 6.8 | 6.6 | 6.3 | 6.2 | 6.0 | 64 |
| 68 | | | | | | | | | | | | 5.8 | 5.6 | 5.4 | 5.2 | 5.0 | 68 |
| 72 | | | | | | | | | | | | | | 4.5 | 4.3 | 4.1 | 72 |
| 配重(t) | 86+25 | 86+25 | 86+25 | 86+25 | 86+25 | 86+25 | 86+25 | 86+25 | 86+25 | 86+25 | 86+25 | 86+25 | 86+25 | 86+25 | 86+25 | 86+25 | 配重(t) |
| 倍率 | 2 | 2 | 2 | 2 | 2 | 2 | 2 | 2 | 2 | 2 | 2 | 2 | 2 | 2 | 2 | 2 | 倍率 |

FJ工况载荷表

| SCC2600A-2 履带起重机 - 固定副臂 FJ 工况 6/8 | | | | | | | | | | | | | | | | | |
|--|-------|-------|-------|-------|-------|-------|-------|-------|-------|-------|-------|-------|-------|-------|-------|-------|------------------|
| 副钩, 主臂 28~73m, 副臂 19m, 主副臂夹角 30°, 不带主钩 | | | | | | | | | | | | | | | | | |
| 臂长 (m) 半径 (m) | 28 | 31 | 34 | 37 | 40 | 43 | 46 | 49 | 52 | 55 | 58 | 61 | 64 | 67 | 70 | 73 | 臂长 (m) 半径 (m) |
| 20 | 11.6 | 11.8 | | | | | | | | | | | | | | | 20 |
| 22 | 11.2 | 11.3 | 11.5 | 11.5 | 11.7 | 11.7 | | | | | | | | | | | 22 |
| 24 | 10.8 | 10.9 | 11.1 | 11.1 | 11.3 | 11.3 | 11.5 | 11.5 | 11.6 | 11.6 | | | | | | | 24 |
| 26 | 10.4 | 10.5 | 10.7 | 10.8 | 11.0 | 11.0 | 11.2 | 11.2 | 11.3 | 11.3 | 11.4 | 11.5 | 11.5 | 11.6 | | | 26 |
| 28 | 10.0 | 10.3 | 10.4 | 10.5 | 10.7 | 10.7 | 10.9 | 10.9 | 11.0 | 11.1 | 11.2 | 11.2 | 11.2 | 11.3 | 11.3 | 11.4 | 28 |
| 30 | 9.7 | 9.9 | 10.1 | 10.2 | 10.4 | 10.5 | 10.6 | 10.7 | 10.8 | 10.8 | 10.9 | 10.9 | 11.0 | 11.0 | 11.1 | 11.2 | 30 |
| 32 | 9.4 | 9.7 | 9.8 | 9.9 | 10.1 | 10.2 | 10.3 | 10.4 | 10.5 | 10.6 | 10.6 | 10.7 | 10.9 | 10.9 | 10.9 | 11.1 | 32 |
| 34 | 9.2 | 9.4 | 9.6 | 9.7 | 9.8 | 10.0 | 10.1 | 10.2 | 10.3 | 10.4 | 10.4 | 10.6 | 10.6 | 10.7 | 10.7 | 11.0 | 34 |
| 36 | 9.0 | 9.2 | 9.4 | 9.5 | 9.6 | 9.8 | 9.9 | 10.0 | 10.1 | 10.1 | 10.3 | 10.4 | 10.4 | 10.4 | 10.5 | 10.6 | 36 |
| 38 | 8.8 | 9.0 | 9.2 | 9.3 | 9.4 | 9.6 | 9.7 | 9.8 | 9.9 | 10.0 | 10.1 | 10.1 | 10.2 | 10.3 | 10.4 | 10.4 | 38 |
| 40 | 8.7 | 8.9 | 8.9 | 9.1 | 9.2 | 9.3 | 9.5 | 9.6 | 9.7 | 9.8 | 9.9 | 10.0 | 10.0 | 10.1 | 10.2 | 10.0 | 40 |
| 44 | 8.6 | 8.6 | 8.7 | 8.8 | 9.0 | 9.1 | 9.1 | 9.2 | 9.4 | 9.4 | 9.6 | 9.6 | 9.8 | 9.8 | 9.8 | 9.6 | 44 |
| 48 | | 8.6 | 8.6 | 8.7 | 8.7 | 8.8 | 8.9 | 9.0 | 9.1 | 9.2 | 9.3 | 9.4 | 9.5 | 9.5 | 9.6 | 9.5 | 48 |
| 52 | | | | 8.8 | 8.7 | 8.7 | 8.7 | 8.8 | 9.0 | 9.1 | 9.2 | 9.4 | 9.5 | 9.6 | 9.4 | 9.2 | 52 |
| 56 | | | | | | 9.0 | 9.0 | 9.1 | 9.2 | 9.3 | 9.4 | 9.5 | 9.4 | 9.2 | 8.8 | 8.6 | 56 |
| 60 | | | | | | | 9.0 | 9.1 | 8.9 | 8.7 | 8.6 | 8.4 | 8.2 | 7.9 | 7.8 | 7.6 | 60 |
| 64 | | | | | | | | | 7.8 | 7.6 | 7.5 | 7.3 | 7.1 | 6.8 | 6.7 | 6.9 | 64 |
| 68 | | | | | | | | | | 6.6 | 6.5 | 6.3 | 6.1 | 5.9 | 5.7 | 5.5 | 68 |
| 72 | | | | | | | | | | | | 5.4 | 5.2 | 5.0 | 4.8 | 4.6 | 72 |
| 76 | | | | | | | | | | | | | 4.4 | 4.2 | 4.0 | 3.8 | 76 |
| 80 | | | | | | | | | | | | | | | 3.3 | 3.1 | 80 |
| 配重 (t) | 86+25 | 86+25 | 86+25 | 86+25 | 86+25 | 86+25 | 86+25 | 86+25 | 86+25 | 86+25 | 86+25 | 86+25 | 86+25 | 86+25 | 86+25 | 86+25 | 配重 (t) |
| 倍率 | 1 | 1 | 1 | 1 | 1 | 1 | 1 | 1 | 1 | 1 | 1 | 1 | 1 | 1 | 1 | 1 | 倍率 |

单位：t

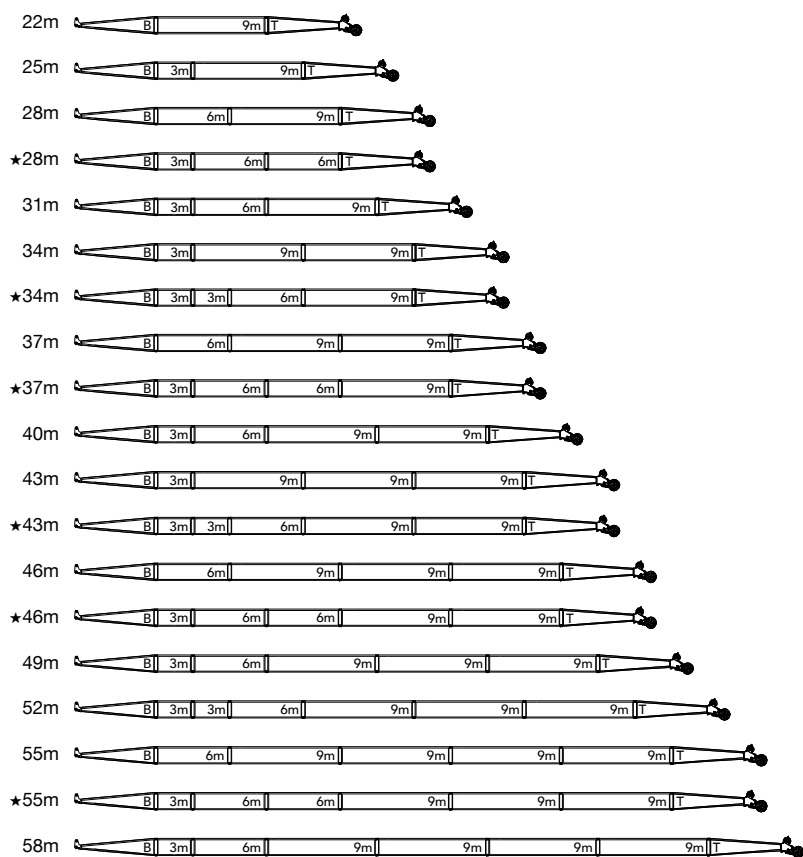
FJ工况载荷表

| SCC2600A-2 履带起重机 - 固定副臂 FJ 工况 7/8 | | | | | | | | | | | | | | | | | |
|------------------------------------|-------|-------|-------|-------|-------|-------|-------|-------|-------|-------|-------|-------|-------|-------|-------|-------|----------------|
| 副钩，主臂 28~73m，副臂 25m，主副臂夹角 30°，不带主钩 | | | | | | | | | | | | | | | | | |
| 臂长(m) 半径(m) | 28 | 31 | 34 | 37 | 40 | 43 | 46 | 49 | 52 | 55 | 58 | 61 | 64 | 67 | 70 | 73 | 臂长(m) 半径(m) |
| 24 | 8.2 | 8.2 | | | | | | | | | | | | | | | 24 |
| 26 | 7.8 | 7.9 | 8.0 | 8.1 | 8.2 | 8.3 | | | | | | | | | | | 26 |
| 28 | 7.5 | 7.6 | 7.7 | 7.8 | 7.9 | 8.0 | 8.0 | 8.2 | 8.2 | 8.2 | | | | | | | 28 |
| 30 | 7.3 | 7.4 | 7.6 | 7.6 | 7.7 | 7.8 | 7.8 | 7.9 | 8.0 | 8.0 | 8.1 | 8.1 | 8.1 | 8.1 | | | 30 |
| 32 | 7.1 | 7.2 | 7.3 | 7.4 | 7.5 | 7.6 | 7.7 | 7.7 | 7.8 | 7.8 | 7.9 | 7.9 | 7.9 | 8.0 | 8.0 | 8.1 | 32 |
| 34 | 6.8 | 7.0 | 7.1 | 7.2 | 7.3 | 7.4 | 7.5 | 7.5 | 7.6 | 7.6 | 7.7 | 7.7 | 7.8 | 7.8 | 7.8 | 7.9 | 34 |
| 36 | 6.6 | 6.8 | 6.9 | 7.0 | 7.1 | 7.2 | 7.3 | 7.3 | 7.4 | 7.5 | 7.5 | 7.6 | 7.6 | 7.6 | 7.7 | 7.8 | 36 |
| 38 | 6.4 | 6.6 | 6.7 | 6.8 | 6.9 | 7.0 | 7.1 | 7.2 | 7.2 | 7.3 | 7.4 | 7.4 | 7.5 | 7.5 | 7.6 | 7.7 | 38 |
| 40 | 6.3 | 6.4 | 6.5 | 6.6 | 6.7 | 6.8 | 6.9 | 7.0 | 7.1 | 7.1 | 7.2 | 7.3 | 7.3 | 7.3 | 7.4 | 7.4 | 40 |
| 44 | 6.0 | 6.1 | 6.2 | 6.3 | 6.5 | 6.6 | 6.6 | 6.7 | 6.8 | 6.8 | 6.9 | 7.0 | 7.0 | 7.1 | 7.2 | 7.2 | 44 |
| 48 | 5.8 | 5.9 | 6.0 | 6.1 | 6.2 | 6.3 | 6.4 | 6.5 | 6.6 | 6.6 | 6.7 | 6.7 | 6.8 | 6.8 | 6.9 | 7.0 | 48 |
| 52 | | 5.8 | 5.9 | 5.9 | 6.0 | 6.1 | 6.1 | 6.2 | 6.3 | 6.4 | 6.5 | 6.5 | 6.6 | 6.7 | 6.7 | 6.8 | 52 |
| 56 | | | 5.8 | 5.8 | 5.9 | 5.9 | 6.0 | 6.1 | 6.1 | 6.2 | 6.3 | 6.3 | 6.4 | 6.4 | 6.5 | 6.6 | 56 |
| 60 | | | | | 5.8 | 5.8 | 5.9 | 5.9 | 6.0 | 6.0 | 6.1 | 6.1 | 6.2 | 6.3 | 6.3 | 6.2 | 60 |
| 64 | | | | | | 5.8 | 5.8 | 5.8 | 5.9 | 5.9 | 5.9 | 6.0 | 6.1 | 6.1 | 6.2 | 6.0 | 64 |
| 68 | | | | | | | | 5.8 | 5.8 | 5.8 | 5.9 | 5.9 | 5.9 | 6.0 | 5.8 | 5.6 | 68 |
| 72 | | | | | | | | | 6.2 | 6.0 | 6.0 | 5.8 | 5.6 | 5.4 | 5.2 | 5.0 | 72 |
| 76 | | | | | | | | | | | 5.2 | 5.0 | 4.8 | 4.6 | 4.4 | 4.2 | 76 |
| 80 | | | | | | | | | | | | 4.2 | 4.1 | 3.9 | 3.7 | 3.5 | 80 |
| 84 | | | | | | | | | | | | | | 3.2 | 3.0 | 2.8 | 84 |
| 配重(t) | 86+25 | 86+25 | 86+25 | 86+25 | 86+25 | 86+25 | 86+25 | 86+25 | 86+25 | 86+25 | 86+25 | 86+25 | 86+25 | 86+25 | 86+25 | 86+25 | 配重(t) |
| 倍率 | 1 | 1 | 1 | 1 | 1 | 1 | 1 | 1 | 1 | 1 | 1 | 1 | 1 | 1 | 1 | 1 | 倍率 |

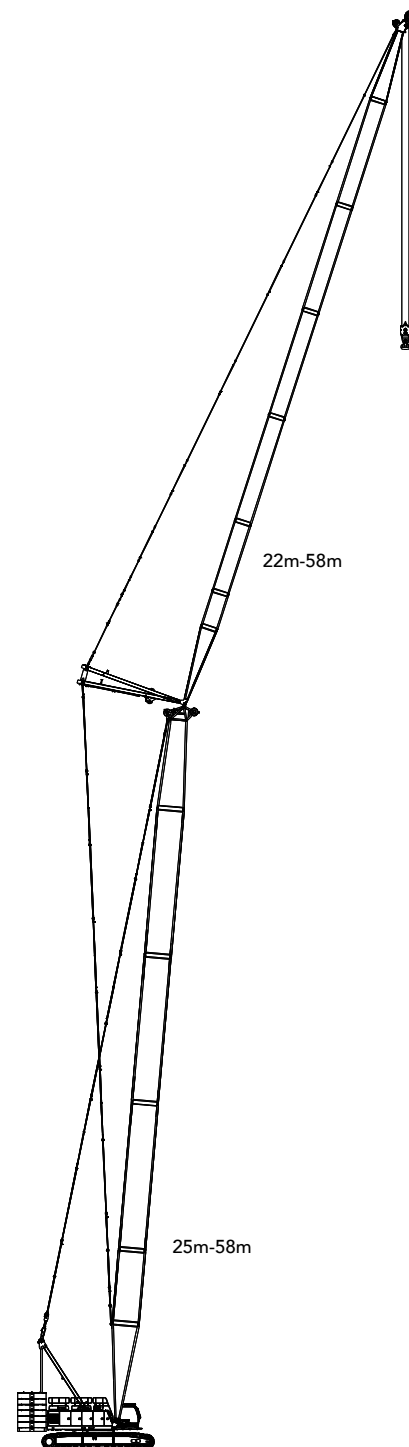
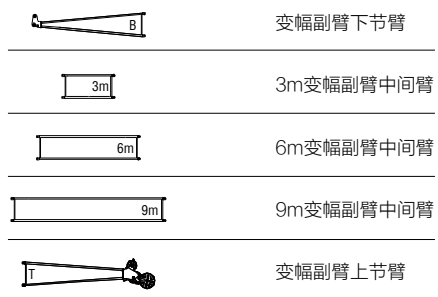
FJ工况载荷表

| SCC2600A-2 履带起重机 - 固定副臂 FJ 工况 8/8 | | | | | | | | | | | | | | | | | |
|--|-------|-------|-------|-------|-------|-------|-------|-------|-------|-------|-------|-------|-------|-------|-------|-------|------------------|
| 副钩, 主臂 28~73m, 副臂 31m, 主副臂夹角 30°, 不带主钩 | | | | | | | | | | | | | | | | | |
| 臂长 (m) 半径 (m) | 28 | 31 | 34 | 37 | 40 | 43 | 46 | 49 | 52 | 55 | 58 | 61 | 64 | 67 | 70 | 73 | 臂长 (m) 半径 (m) |
| 28 | 6.0 | 6.0 | | | | | | | | | | | | | | | 28 |
| 30 | 5.7 | 5.8 | 5.8 | 5.9 | 5.9 | 6.0 | | | | | | | | | | | 30 |
| 32 | 5.5 | 5.6 | 5.6 | 5.7 | 5.8 | 5.8 | 5.8 | 5.9 | 5.9 | 5.9 | | | | | | | 32 |
| 34 | 5.3 | 5.3 | 5.4 | 5.5 | 5.5 | 5.6 | 5.7 | 5.7 | 5.8 | 5.8 | 5.8 | 5.9 | 5.9 | 5.9 | | | 34 |
| 36 | 5.1 | 5.2 | 5.3 | 5.3 | 5.4 | 5.5 | 5.5 | 5.6 | 5.6 | 5.7 | 5.7 | 5.7 | 5.8 | 5.8 | 5.8 | 5.8 | 36 |
| 38 | 4.9 | 5.0 | 5.1 | 5.2 | 5.3 | 5.3 | 5.4 | 5.4 | 5.5 | 5.5 | 5.6 | 5.6 | 5.6 | 5.6 | 5.7 | 5.6 | 38 |
| 40 | 4.7 | 4.9 | 4.9 | 5.0 | 5.1 | 5.2 | 5.2 | 5.3 | 5.4 | 5.4 | 5.4 | 5.5 | 5.5 | 5.5 | 5.6 | 5.6 | 40 |
| 44 | 4.5 | 4.6 | 4.7 | 4.7 | 4.8 | 4.9 | 5.0 | 5.0 | 5.1 | 5.1 | 5.2 | 5.2 | 5.2 | 5.3 | 5.3 | 5.4 | 44 |
| 48 | 4.3 | 4.3 | 4.4 | 4.5 | 4.6 | 4.7 | 4.7 | 4.8 | 4.8 | 4.9 | 5.0 | 5.0 | 5.1 | 5.1 | 5.1 | 5.1 | 48 |
| 52 | 4.1 | 4.2 | 4.2 | 4.3 | 4.4 | 4.5 | 4.5 | 4.6 | 4.7 | 4.7 | 4.8 | 4.8 | 4.9 | 4.9 | 5.0 | 5.0 | 52 |
| 56 | 4.0 | 4.0 | 4.1 | 4.2 | 4.2 | 4.3 | 4.3 | 4.4 | 4.5 | 4.5 | 4.6 | 4.6 | 4.7 | 4.7 | 4.8 | 4.8 | 56 |
| 60 | | 4.0 | 4.0 | 4.0 | 4.1 | 4.1 | 4.2 | 4.3 | 4.3 | 4.4 | 4.4 | 4.5 | 4.5 | 4.6 | 4.6 | 4.5 | 60 |
| 64 | | | | 4.0 | 4.0 | 4.0 | 4.1 | 4.1 | 4.2 | 4.3 | 4.3 | 4.4 | 4.4 | 4.4 | 4.5 | 4.4 | 64 |
| 68 | | | | | | 4.0 | 4.0 | 4.1 | 4.1 | 4.1 | 4.2 | 4.2 | 4.3 | 4.3 | 4.4 | 4.3 | 68 |
| 72 | | | | | | | 4.0 | 4.0 | 4.0 | 4.1 | 4.1 | 4.1 | 4.2 | 4.2 | 4.3 | 4.2 | 72 |
| 76 | | | | | | | | | 4.0 | 4.0 | 4.0 | 4.1 | 4.1 | 4.1 | 4.1 | 4.0 | 76 |
| 80 | | | | | | | | | | 4.0 | 4.0 | 4.0 | 4.0 | 4.1 | 3.8 | 3.6 | 80 |
| 84 | | | | | | | | | | | | 3.9 | 3.8 | 3.5 | 3.4 | 3.3 | 84 |
| 88 | | | | | | | | | | | | | 3.1 | 2.9 | 2.8 | 2.7 | 88 |
| 配重 (t) | 86+25 | 86+25 | 86+25 | 86+25 | 86+25 | 86+25 | 86+25 | 86+25 | 86+25 | 86+25 | 86+25 | 86+25 | 86+25 | 86+25 | 86+25 | 86+25 | 配重 |
| 倍率 | 1 | 1 | 1 | 1 | 1 | 1 | 1 | 1 | 1 | 1 | 1 | 1 | 1 | 1 | 1 | 1 | 倍率 |

LJ工况臂架组合

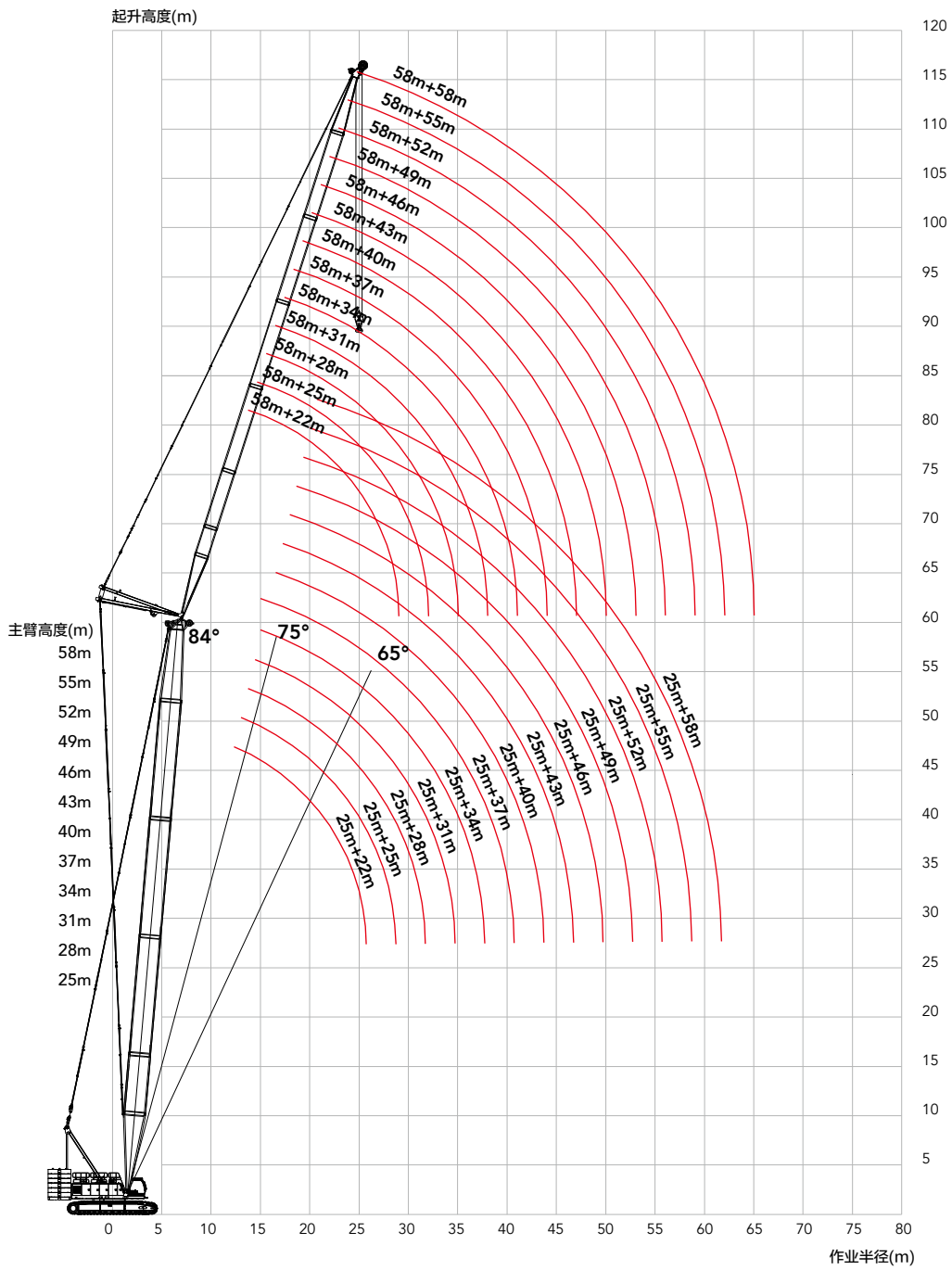


注：★代表推荐购买组合。



变幅副臂 LJ 工况：
(25m-58m)+(22m-58m)

LJ作业范围图



单位：t

LJ工况载荷表

说明：

- ①. 载荷表中的额定载荷计算符合 EN13000;
- ②. 工作半径是载荷重心到回转中心的水平距离;
- ③. 实际起重量是表中的额定起重量中减去起重钩等一切吊具之后的值;
- ④. 载荷值是在重物自由悬挂状态下, 未考虑风载对吊重的影响、地面状况、地面坡度、操作速度以及其它任何对设备安全操作有负面影响的因素。因此, 操作手有责任判断当前情况, 相应地降低载荷并减慢速度;
- ⑤. 表中所示额定起重量是在水平坚硬地面上、重物在非行走时缓慢平稳起吊的值(坡度不超过1%);
- ⑥. 下表中的倍率是按单绳力 13.5t 设计的;
- ⑦. LJ 工况完整载荷表、LJa 工况载荷表详见说明书。

SCC2600A-2 履带起重机 -LJ 工况载荷表 1/4

变幅副臂吊钩带载, 主臂 25m, 主臂 84°, 带加长臂吊钩

| 臂长 (m) 半径 (m) | 22 | 25 | 28 | 31 | 34 | 37 | 40 | 43 | 46 | 49 | 52 | 55 | 58 | 臂长 (m) 半径 (m) |
|------------------|-------|-------|-------|-------|-------|-------|-------|-------|-------|-------|-------|-------|-------|------------------|
| 11 | 70.0 | | | | | | | | | | | | | 11 |
| 12 | 68.1 | 63.7 | | | | | | | | | | | | 12 |
| 14 | 64.5 | 60.7 | 56.0 | 51.8 | | | | | | | | | | 14 |
| 16 | 59.0 | 55.9 | 52.6 | 49.1 | 45.7 | 41.0 | 35.6 | | | | | | | 16 |
| 18 | 51.7 | 50.0 | 48.0 | 45.1 | 42.5 | 39.9 | 35.1 | 30.6 | 26.8 | | | | | 18 |
| 20 | 45.0 | 44.5 | 43.1 | 41.2 | 39.3 | 37.2 | 34.6 | 30.1 | 26.3 | 23.1 | 20.4 | | | 20 |
| 22 | 34.6 | 38.9 | 38.5 | 37.5 | 36.3 | 34.6 | 32.5 | 29.6 | 25.8 | 22.6 | 19.9 | 17.5 | 15.4 | 22 |
| 24 | 26.0 | 31.3 | 34.3 | 33.9 | 32.9 | 31.8 | 30.3 | 28.8 | 25.3 | 22.2 | 19.5 | 17.1 | 15.0 | 24 |
| 26 | | 24.4 | 28.7 | 30.0 | 29.8 | 29.1 | 28.1 | 26.9 | 24.9 | 21.7 | 19.0 | 16.7 | 14.6 | 26 |
| 28 | | 18.5 | 22.8 | 26.3 | 27.0 | 26.6 | 25.7 | 24.9 | 23.7 | 21.3 | 18.6 | 16.3 | 14.2 | 28 |
| 30 | | | 18.1 | 21.4 | 24.1 | 24.0 | 23.6 | 23.0 | 22.2 | 20.8 | 18.1 | 15.8 | 13.8 | 30 |
| 32 | | | | 17.2 | 20.1 | 21.7 | 21.5 | 21.1 | 20.5 | 19.6 | 17.7 | 15.4 | 13.5 | 32 |
| 34 | | | | 13.4 | 16.4 | 18.8 | 19.5 | 19.3 | 18.9 | 18.2 | 17.3 | 15.1 | 13.1 | 34 |
| 36 | | | | | 13.2 | 15.7 | 17.5 | 17.6 | 17.3 | 16.9 | 16.3 | 14.7 | 12.8 | 36 |
| 38 | | | | | | 12.8 | 14.8 | 15.9 | 15.9 | 15.5 | 15.0 | 14.3 | 12.4 | 38 |
| 40 | | | | | | | 10.1 | 12.3 | 13.9 | 14.4 | 14.2 | 13.8 | 13.5 | 40 |
| 44 | | | | | | | | | 9.7 | 11.1 | 11.7 | 11.7 | 11.4 | 44 |
| 48 | | | | | | | | | | 7.6 | 8.9 | 9.6 | 9.5 | 48 |
| 52 | | | | | | | | | | | 5.8 | 7.1 | 7.8 | 52 |
| 56 | | | | | | | | | | | | 5.5 | 6.1 | 56 |
| 60 | | | | | | | | | | | | | 4.2 | 60 |
| 配重 | 86+25 | 86+25 | 86+25 | 86+25 | 86+25 | 86+25 | 86+25 | 86+25 | 86+25 | 86+25 | 86+25 | 86+25 | 86+25 | 配重 |
| 倍率 | 6 | 5 | 5 | 4 | 4 | 4 | 3 | 3 | 2 | 2 | 2 | 2 | 2 | 倍率 |

LJ工况载荷表

SCC2600A-2 履带起重机 -LJ 工况载荷表 2/4

变幅副臂吊钩带载, 主臂 37m, 主臂 84°, 带加长臂吊钩

| 臂长 (m) 半径 (m) | 22 | 25 | 28 | 31 | 34 | 37 | 40 | 43 | 46 | 49 | 52 | 55 | 58 | 臂长 (m) 半径 (m) |
|------------------|------------|------------|------------|------------|------------|------------|------------|------------|------------|------------|------------|------------|------------|------------------|
| 14 | 67.3 | 61.3 | 53.5 | | | | | | | | | | | 14 |
| 16 | 61.5 | 57.7 | 53.2 | 46.5 | 40.7 | | | | | | | | | 16 |
| 18 | 55.6 | 53.5 | 50.1 | 46.1 | 40.4 | 35.4 | 31.1 | 27.4 | | | | | | 18 |
| 20 | 50.2 | 49.0 | 46.5 | 43.4 | 40.1 | 35.1 | 30.8 | 27.1 | 24.0 | 21.2 | | | | 20 |
| 22 | 45.0 | 44.2 | 42.6 | 40.4 | 38.2 | 34.8 | 30.5 | 26.8 | 23.6 | 20.9 | 18.4 | 16.3 | | 22 |
| 24 | 36.5 | 39.4 | 38.6 | 37.4 | 35.6 | 33.7 | 30.1 | 26.5 | 23.3 | 20.5 | 18.1 | 16.0 | 14.1 | 24 |
| 26 | 26.8 | 33.8 | 34.6 | 33.8 | 32.3 | 31.0 | 29.6 | 26.1 | 23.0 | 20.2 | 17.8 | 15.7 | 13.8 | 26 |
| 28 | | 26.0 | 30.7 | 30.8 | 29.5 | 28.2 | 27.3 | 25.7 | 22.6 | 19.8 | 17.4 | 15.3 | 13.5 | 28 |
| 30 | | 18.8 | 24.7 | 27.5 | 27.0 | 26.0 | 25.1 | 24.2 | 22.3 | 19.5 | 17.1 | 15.0 | 13.2 | 30 |
| 32 | | | 18.9 | 23.4 | 24.7 | 23.9 | 23.2 | 22.3 | 21.6 | 19.2 | 16.8 | 14.7 | 12.9 | 32 |
| 34 | | | | 18.6 | 22.2 | 22.1 | 21.3 | 20.7 | 20.1 | 18.8 | 16.5 | 14.4 | 12.6 | 34 |
| 36 | | | | | 18.0 | 20.2 | 19.8 | 19.2 | 18.6 | 18.0 | 16.2 | 14.1 | 12.3 | 36 |
| 38 | | | | | 14.1 | 17.3 | 18.3 | 17.9 | 17.3 | 16.7 | 15.9 | 13.8 | 12.0 | 38 |
| 40 | | | | | | 13.9 | 16.4 | 16.6 | 16.2 | 15.7 | 15.1 | 13.5 | 11.7 | 40 |
| 44 | | | | | | | 10.8 | 13.2 | 13.7 | 13.6 | 13.3 | 12.4 | 11.1 | 44 |
| 48 | | | | | | | | | 10.4 | 11.3 | 11.3 | 10.7 | 9.6 | 48 |
| 52 | | | | | | | | | | 8.2 | 9.2 | 9.1 | 8.2 | 52 |
| 56 | | | | | | | | | | | 6.4 | 7.4 | 6.9 | 56 |
| 60 | | | | | | | | | | | | | 5.7 | 60 |
| 配重 倍率 | 86+25 5 | 86+25 5 | 86+25 4 | 86+25 4 | 86+25 4 | 86+25 3 | 86+25 3 | 86+25 3 | 86+25 2 | 86+25 2 | 86+25 2 | 86+25 2 | 86+25 2 | 配重 倍率 |

单位：t

LJ工况载荷表

| SCC2600A-2 履带起重机 -LJ 工况载荷表 3/4 | | | | | | | | | | | | | | |
|--------------------------------|------------|------------|------------|------------|------------|------------|------------|------------|------------|------------|------------|------------|------------|------------------|
| 变幅副臂吊钩带载，主臂 49m，主臂 84°，带加长臂吊钩 | | | | | | | | | | | | | | |
| 臂长 (m) 半径 (m) | 22 | 25 | 28 | 31 | 34 | 37 | 40 | 43 | 46 | 49 | 52 | 55 | 58 | 臂长 (m) 半径 (m) |
| 14 | 51.1 | | | | | | | | | | | | | 14 |
| 16 | 49.6 | 45.2 | 40.8 | 36.7 | | | | | | | | | | 16 |
| 18 | 47.7 | 44.0 | 40.1 | 36.1 | 32.5 | 29.2 | | | | | | | | 18 |
| 20 | 45.7 | 42.5 | 39.1 | 35.5 | 32.1 | 28.8 | 25.8 | 23.1 | | | | | | 20 |
| 22 | 42.8 | 40.8 | 37.9 | 34.7 | 31.5 | 28.5 | 25.5 | 22.9 | 20.4 | 18.2 | 16.3 | | | 22 |
| 24 | 39.5 | 38.5 | 36.6 | 33.8 | 30.9 | 28.0 | 25.2 | 22.6 | 20.2 | 18.0 | 16.0 | 14.3 | 12.7 | 24 |
| 26 | 34.2 | 35.5 | 34.5 | 32.8 | 30.2 | 27.5 | 24.8 | 22.3 | 19.9 | 17.7 | 15.8 | 14.1 | 12.5 | 26 |
| 28 | 24.7 | 31.9 | 31.6 | 30.8 | 29.4 | 26.9 | 24.4 | 21.9 | 19.6 | 17.5 | 15.5 | 13.8 | 12.3 | 28 |
| 30 | | 24.4 | 28.9 | 28.4 | 27.7 | 26.3 | 23.9 | 21.6 | 19.3 | 17.2 | 15.3 | 13.6 | 12.0 | 30 |
| 32 | | | 23.7 | 26.1 | 25.6 | 24.7 | 23.5 | 21.2 | 19.0 | 16.9 | 15.1 | 13.4 | 11.8 | 32 |
| 34 | | | 17.8 | 22.7 | 23.4 | 22.7 | 21.8 | 20.8 | 18.7 | 16.7 | 14.8 | 13.1 | 11.6 | 34 |
| 36 | | | | 17.8 | 21.5 | 21.1 | 20.4 | 19.7 | 18.4 | 16.4 | 14.6 | 12.9 | 11.3 | 36 |
| 38 | | | | | 17.4 | 19.6 | 18.9 | 18.4 | 17.8 | 16.1 | 14.3 | 12.7 | 11.1 | 38 |
| 40 | | | | | 13.4 | 17.0 | 17.7 | 17.2 | 16.5 | 15.9 | 14.1 | 12.4 | 10.9 | 40 |
| 44 | | | | | | | 13.4 | 14.8 | 14.6 | 14.1 | 13.6 | 12.0 | 10.4 | 44 |
| 48 | | | | | | | | 10.5 | 12.2 | 12.2 | 12.1 | 11.2 | 10.0 | 48 |
| 52 | | | | | | | | | | 9.8 | 10.2 | 9.7 | 8.6 | 52 |
| 56 | | | | | | | | | | | 8.1 | 8.2 | 7.4 | 56 |
| 60 | | | | | | | | | | | | 6.2 | 6.1 | 60 |
| 配重 倍率 | 86+25 4 | 86+25 4 | 86+25 4 | 86+25 3 | 86+25 3 | 86+25 3 | 86+25 2 | 86+25 2 | 86+25 2 | 86+25 2 | 86+25 2 | 86+25 2 | 86+25 1 | 配重 倍率 |

LJ工况载荷表

| SCC2600A-2 履带起重机 -LJ 工况载荷表 4/4 | | | | | | | | | | | | | | |
|----------------------------------|------------|------------|------------|------------|------------|------------|------------|------------|------------|------------|------------|------------|------------|------------------|
| 变幅副臂吊钩带载, 主臂 58m, 主臂 84°, 带加长臂吊钩 | | | | | | | | | | | | | | |
| 臂长 (m) 半径 (m) | 22 | 25 | 28 | 31 | 34 | 37 | 40 | 43 | 46 | 49 | 52 | 55 | 58 | 臂长 (m) 半径 (m) |
| 16 | 38.5 | 35.6 | | | | | | | | | | | | 16 |
| 18 | 37.0 | 34.4 | 31.8 | 29.1 | 26.6 | | | | | | | | | 18 |
| 20 | 35.3 | 33.1 | 30.8 | 28.4 | 26.1 | 23.8 | 21.6 | | | | | | | 20 |
| 22 | 33.6 | 31.7 | 29.7 | 27.6 | 25.5 | 23.3 | 21.3 | 19.4 | 17.5 | 15.8 | | | | 22 |
| 24 | 31.9 | 30.3 | 28.6 | 26.7 | 24.8 | 22.8 | 20.9 | 19.0 | 17.3 | 15.6 | 14.0 | 12.6 | | 24 |
| 26 | 30.2 | 28.9 | 27.4 | 25.7 | 24.0 | 22.3 | 20.5 | 18.7 | 17.0 | 15.3 | 13.8 | 12.4 | 11.1 | 26 |
| 28 | 28.7 | 27.5 | 26.2 | 24.7 | 23.3 | 21.7 | 20.0 | 18.3 | 16.7 | 15.1 | 13.6 | 12.2 | 10.9 | 28 |
| 30 | | 26.2 | 25.1 | 23.8 | 22.5 | 21.1 | 19.5 | 18.0 | 16.4 | 14.8 | 13.4 | 12.0 | 10.7 | 30 |
| 32 | | 20.7 | 23.6 | 22.8 | 21.7 | 20.4 | 19.0 | 17.5 | 16.1 | 14.6 | 13.1 | 11.8 | 10.5 | 32 |
| 34 | | | 20.8 | 21.4 | 20.9 | 19.7 | 18.4 | 17.1 | 15.7 | 14.3 | 12.9 | 11.6 | 10.3 | 34 |
| 36 | | | | 19.7 | 19.5 | 19.1 | 17.9 | 16.7 | 15.4 | 14.0 | 12.7 | 11.3 | 10.1 | 36 |
| 38 | | | | 15.4 | 18.0 | 17.7 | 17.3 | 16.2 | 15.0 | 13.7 | 12.4 | 11.2 | 9.9 | 38 |
| 40 | | | | | 15.5 | 16.5 | 16.1 | 15.8 | 14.6 | 13.4 | 12.2 | 10.9 | 9.7 | 40 |
| 44 | | | | | | | 14.0 | 13.9 | 13.7 | 12.8 | 11.7 | 10.5 | 9.3 | 44 |
| 48 | | | | | | | | 11.8 | 11.9 | 11.7 | 11.2 | 10.1 | 8.9 | 48 |
| 52 | | | | | | | | | 9.3 | 10.3 | 10.1 | 9.6 | 8.6 | 52 |
| 56 | | | | | | | | | | | 8.5 | 8.6 | 7.6 | 56 |
| 60 | | | | | | | | | | | | 6.9 | 6.4 | 60 |
| 64 | | | | | | | | | | | | | 5.3 | 64 |
| 配重 倍率 | 86+25 3 | 86+25 3 | 86+25 3 | 86+25 3 | 86+25 2 | 86+25 2 | 86+25 2 | 86+25 2 | 86+25 2 | 86+25 2 | 86+25 2 | 86+25 1 | 86+25 1 | 配重 倍率 |

单位：t

LJ工况载荷表

SCC2600A-2 履带起重机 -LJ 工况载荷表 1/4

变幅副臂吊钩带载，主臂 25m，主臂 75°，带加长臂吊钩

| 臂长 (m) 半径 (m) | 22 | 25 | 28 | 31 | 34 | 37 | 40 | 43 | 46 | 49 | 52 | 55 | 58 | 臂长 (m) 半径 (m) |
|------------------|-------|-------|-------|-------|-------|-------|-------|-------|-------|-------|-------|-------|-------|------------------|
| 20 | 42.8 | 42.8 | | | | | | | | | | | | 20 |
| 22 | 36.2 | 36.4 | 37.3 | 37.1 | | | | | | | | | | 22 |
| 24 | 31.3 | 31.4 | 32.2 | 32.1 | 31.9 | | | | | | | | | 24 |
| 26 | 27.5 | 27.6 | 28.3 | 28.2 | 28.0 | 27.9 | 27.7 | | | | | | | 26 |
| 28 | 24.5 | 24.6 | 25.2 | 25.1 | 24.9 | 24.8 | 24.6 | 24.5 | | | | | | 28 |
| 30 | | 22.1 | 22.7 | 22.5 | 22.4 | 22.3 | 22.1 | 22.0 | 21.9 | 19.2 | | | | 30 |
| 32 | | 20.0 | 20.6 | 20.4 | 20.3 | 20.2 | 20.0 | 19.9 | 19.8 | 18.9 | 16.5 | | | 32 |
| 34 | | | 18.8 | 18.7 | 18.6 | 18.4 | 18.3 | 18.1 | 18.0 | 17.8 | 16.3 | 14.2 | 12.4 | 34 |
| 36 | | | | 17.2 | 17.1 | 16.9 | 16.8 | 16.6 | 16.5 | 16.3 | 16.0 | 13.9 | 12.1 | 36 |
| 38 | | | | 15.8 | 15.7 | 15.6 | 15.4 | 15.3 | 15.2 | 15.0 | 14.9 | 13.7 | 11.9 | 38 |
| 40 | | | | | 14.6 | 14.5 | 14.3 | 14.2 | 14.0 | 13.9 | 13.8 | 13.4 | 11.6 | 40 |
| 44 | | | | | | 12.1 | 12.4 | 12.3 | 12.2 | 12.0 | 11.9 | 11.7 | 11.2 | 44 |
| 48 | | | | | | | | 10.8 | 10.6 | 10.5 | 10.4 | 10.2 | 10.1 | 48 |
| 52 | | | | | | | | | 9.3 | 9.3 | 9.1 | 9.0 | 8.8 | 52 |
| 56 | | | | | | | | | | | 8.1 | 8.0 | 7.8 | 56 |
| 60 | | | | | | | | | | | | 7.1 | 6.6 | 60 |
| 64 | | | | | | | | | | | | | 5.4 | 64 |
| 配重 | 86+25 | 86+25 | 86+25 | 86+25 | 86+25 | 86+25 | 86+25 | 86+25 | 86+25 | 86+25 | 86+25 | 86+25 | 86+25 | 配重 |
| 倍率 | 4 | 4 | 3 | 3 | 3 | 3 | 3 | 2 | 2 | 2 | 2 | 2 | 1 | 倍率 |

SCC2600A-2 履带起重机 -LJ 工况载荷表 2/4

变幅副臂吊钩带载，主臂 37m，主臂 75°，带加长臂吊钩

| 臂长 (m) 半径 (m) | 22 | 25 | 28 | 31 | 34 | 37 | 40 | 43 | 46 | 49 | 52 | 55 | 58 | 臂长 (m) 半径 (m) |
|------------------|-------|-------|-------|-------|-------|-------|-------|-------|-------|-------|-------|-------|-------|------------------|
| 22 | 36.5 | | | | | | | | | | | | | 22 |
| 24 | 32.8 | 32.7 | 32.4 | | | | | | | | | | | 24 |
| 26 | 29.8 | 29.6 | 29.4 | 29.2 | | | | | | | | | | 26 |
| 28 | 27.2 | 27.1 | 26.9 | 26.6 | 26.5 | 26.3 | | | | | | | | 28 |
| 30 | 25.0 | 24.9 | 24.7 | 24.5 | 24.3 | 24.1 | 23.9 | | | | | | | 30 |
| 32 | 23.1 | 23.0 | 22.8 | 22.6 | 22.4 | 22.3 | 22.0 | 21.9 | 20.2 | | | | | 32 |
| 34 | | 21.1 | 21.2 | 21.0 | 20.8 | 20.6 | 20.4 | 20.2 | 20.1 | 17.6 | 15.4 | | | 34 |
| 36 | | | 19.7 | 19.5 | 19.4 | 19.2 | 19.0 | 18.8 | 18.6 | 17.4 | 15.2 | 13.3 | | 36 |
| 38 | | | 18.1 | 18.0 | 18.0 | 17.9 | 17.7 | 17.6 | 17.4 | 17.2 | 15.0 | 13.1 | 11.5 | 38 |
| 40 | | | | 16.6 | 16.5 | 16.4 | 16.3 | 16.2 | 16.1 | 16.0 | 14.9 | 13.0 | 11.3 | 40 |
| 44 | | | | | 14.2 | 14.1 | 14.0 | 13.9 | 13.8 | 13.6 | 13.5 | 12.6 | 10.9 | 44 |
| 48 | | | | | | | 12.2 | 12.1 | 11.9 | 11.8 | 11.7 | 11.6 | 10.5 | 48 |
| 52 | | | | | | | | 10.6 | 10.5 | 10.3 | 10.2 | 10.1 | 10.0 | 52 |
| 56 | | | | | | | | | 9.3 | 9.1 | 9.0 | 8.9 | 8.8 | 56 |
| 60 | | | | | | | | | | | 8.0 | 7.9 | 7.8 | 60 |
| 64 | | | | | | | | | | | | 7.0 | 6.6 | 64 |
| 配重 | 86+25 | 86+25 | 86+25 | 86+25 | 86+25 | 86+25 | 86+25 | 86+25 | 86+25 | 86+25 | 86+25 | 86+25 | 86+25 | 配重 |
| 倍率 | 3 | 3 | 3 | 3 | 2 | 2 | 2 | 2 | 2 | 2 | 2 | 1 | 1 | 倍率 |

LJ工况载荷表

SCC2600A-2 履带起重机 -LJ 工况载荷表 3/4

变幅副臂吊钩带载, 主臂 49m, 主臂 75°, 带加长臂吊钩

| 臂长 (m) 半径 (m) | 22 | 25 | 28 | 31 | 34 | 37 | 40 | 43 | 46 | 49 | 52 | 55 | 58 | 臂长 (m) 半径 (m) |
|------------------|------------|------------|------------|------------|------------|------------|------------|------------|------------|------------|------------|------------|------------|------------------|
| 26 | 28.1 | 27.8 | | | | | | | | | | | | 26 |
| 28 | 25.6 | 25.5 | 25.3 | | | | | | | | | | | 28 |
| 30 | 23.6 | 23.4 | 23.2 | 22.9 | 22.7 | | | | | | | | | 30 |
| 32 | 21.8 | 21.6 | 21.4 | 21.2 | 21.0 | 20.8 | 20.4 | | | | | | | 32 |
| 34 | 20.2 | 20.1 | 19.9 | 19.6 | 19.5 | 19.3 | 19.0 | 18.8 | | | | | | 34 |
| 36 | 18.8 | 18.7 | 18.5 | 18.3 | 18.1 | 17.9 | 17.7 | 17.5 | 17.3 | 15.5 | | | | 36 |
| 38 | | 17.5 | 17.3 | 17.1 | 16.9 | 16.8 | 16.5 | 16.3 | 16.2 | 15.4 | 13.6 | | | 38 |
| 40 | | | 16.2 | 16.0 | 15.9 | 15.7 | 15.4 | 15.3 | 15.1 | 14.9 | 13.5 | 11.9 | 10.4 | 40 |
| 44 | | | | 14.1 | 14.0 | 13.9 | 13.6 | 13.5 | 13.3 | 13.1 | 12.9 | 11.6 | 10.1 | 44 |
| 48 | | | | | | 12.3 | 12.1 | 12.0 | 11.8 | 11.6 | 11.4 | 11.2 | 9.9 | 48 |
| 52 | | | | | | | 10.9 | 10.7 | 10.6 | 10.3 | 10.2 | 10.0 | 9.6 | 52 |
| 56 | | | | | | | | 9.6 | 9.5 | 9.3 | 9.1 | 9.0 | 8.7 | 56 |
| 60 | | | | | | | | | | 8.4 | 8.2 | 8.0 | 7.8 | 60 |
| 64 | | | | | | | | | | | 7.4 | 7.3 | 7.0 | 64 |
| 68 | | | | | | | | | | | | | 6.3 | 68 |
| 配重 倍率 | 86+25 3 | 86+25 3 | 86+25 2 | 86+25 2 | 86+25 2 | 86+25 2 | 86+25 2 | 86+25 2 | 86+25 2 | 86+25 2 | 86+25 2 | 86+25 1 | 86+25 1 | 配重 倍率 |

SCC2600A-2 履带起重机 -LJ 工况载荷表 4/4

变幅副臂吊钩带载, 主臂 58m, 主臂 75°, 带加长臂吊钩

| 臂长 (m) 半径 (m) | 22 | 25 | 28 | 31 | 34 | 37 | 40 | 43 | 46 | 49 | 52 | 55 | 58 | 臂长 (m) 半径 (m) |
|------------------|------------|------------|------------|------------|------------|------------|------------|------------|------------|------------|------------|------------|------------|------------------|
| 28 | 23.9 | 23.6 | | | | | | | | | | | | 28 |
| 30 | 22.1 | 21.9 | 21.5 | | | | | | | | | | | 30 |
| 32 | 20.5 | 20.3 | 20.1 | 19.7 | 19.4 | | | | | | | | | 32 |
| 34 | 19.1 | 18.9 | 18.7 | 18.4 | 18.1 | 17.8 | | | | | | | | 34 |
| 36 | 17.8 | 17.6 | 17.4 | 17.1 | 17.0 | 16.7 | 16.3 | 16.0 | | | | | | 36 |
| 38 | 16.6 | 16.5 | 16.3 | 16.0 | 15.9 | 15.7 | 15.3 | 15.0 | 14.7 | | | | | 38 |
| 40 | | 15.5 | 15.3 | 15.0 | 14.9 | 14.7 | 14.4 | 14.2 | 13.9 | 13.1 | 11.8 | | | 40 |
| 44 | | | 13.5 | 13.3 | 13.1 | 13.0 | 12.7 | 12.5 | 12.3 | 12.0 | 11.6 | 10.3 | 9.0 | 44 |
| 48 | | | | | 11.7 | 11.5 | 11.3 | 11.1 | 10.9 | 10.6 | 10.5 | 10.1 | 8.8 | 48 |
| 52 | | | | | | 10.3 | 10.1 | 9.9 | 9.7 | 9.5 | 9.3 | 9.1 | 8.7 | 52 |
| 56 | | | | | | | | 8.9 | 8.7 | 8.5 | 8.3 | 8.1 | 7.8 | 56 |
| 60 | | | | | | | | | 7.8 | 7.6 | 7.4 | 7.2 | 7.0 | 60 |
| 64 | | | | | | | | | | 6.8 | 6.7 | 6.5 | 6.2 | 64 |
| 68 | | | | | | | | | | | | 5.8 | 5.6 | 68 |
| 72 | | | | | | | | | | | | | 5.0 | 72 |
| 配重 倍率 | 86+25 2 | 86+25 2 | 86+25 2 | 86+25 2 | 86+25 2 | 86+25 2 | 86+25 2 | 86+25 2 | 86+25 2 | 86+25 1 | 86+25 1 | 86+25 1 | 86+25 1 | 配重 倍率 |

单位：t

LJ工况载荷表

| SCC2600A-2 履带起重机 -LJ 工况载荷表 1/4 | | | | | | | | | | | | | | |
|--------------------------------|-------|-------|-------|-------|-------|-------|-------|-------|-------|-------|-------|-------|-------|------------------|
| 变幅副臂吊钩带载，主臂 25m，主臂 65°，带加长臂吊钩 | | | | | | | | | | | | | | |
| 臂长 (m) 半径 (m) | 22 | 25 | 28 | 31 | 34 | 37 | 40 | 43 | 46 | 49 | 52 | 55 | 58 | 臂长 (m) 半径 (m) |
| 26 | 28.4 | | | | | | | | | | | | | 26 |
| 28 | 26.2 | 26.0 | | | | | | | | | | | | 28 |
| 30 | 24.1 | 24.0 | 23.7 | | | | | | | | | | | 30 |
| 32 | 22.3 | 22.2 | 21.9 | 21.7 | | | | | | | | | | 32 |
| 34 | 20.7 | 20.7 | 20.5 | 20.1 | 20.0 | | | | | | | | | 34 |
| 36 | | 19.2 | 19.1 | 18.8 | 18.7 | 18.4 | 18.1 | | | | | | | 36 |
| 38 | | | 17.8 | 17.6 | 17.4 | 17.3 | 17.0 | 16.7 | | | | | | 38 |
| 40 | | | | 16.4 | 16.3 | 16.1 | 15.9 | 15.7 | 15.5 | | | | | 40 |
| 44 | | | | | 14.4 | 14.3 | 14.0 | 13.9 | 13.7 | 13.4 | 13.3 | | | 44 |
| 48 | | | | | | 12.6 | 12.4 | 12.3 | 12.1 | 11.9 | 11.7 | 11.4 | 10.1 | 48 |
| 52 | | | | | | | | 10.8 | 10.7 | 10.5 | 10.4 | 10.2 | 9.8 | 52 |
| 56 | | | | | | | | | 9.4 | 9.3 | 9.1 | 9.0 | 8.8 | 56 |
| 60 | | | | | | | | | | 8.2 | 8.1 | 8.0 | 7.8 | 60 |
| 64 | | | | | | | | | | | | 7.1 | 7.0 | 64 |
| 68 | | | | | | | | | | | | | 6.0 | 68 |
| 配重 | 86+25 | 86+25 | 86+25 | 86+25 | 86+25 | 86+25 | 86+25 | 86+25 | 86+25 | 86+25 | 86+25 | 86+25 | 86+25 | 配重 |
| 倍率 | 3 | 2 | 2 | 2 | 2 | 2 | 2 | 2 | 2 | 1 | 1 | 1 | 1 | 倍率 |

| SCC2600A-2 履带起重机 -LJ 工况载荷表 2/4 | | | | | | | | | | | | | | |
|--------------------------------|-------|-------|-------|-------|-------|-------|-------|-------|-------|-------|-------|-------|-------|------------------|
| 变幅副臂吊钩带载，主臂 37m，主臂 65°，带加长臂吊钩 | | | | | | | | | | | | | | |
| 臂长 (m) 半径 (m) | 22 | 25 | 28 | 31 | 34 | 37 | 40 | 43 | 46 | 49 | 52 | 55 | 58 | 臂长 (m) 半径 (m) |
| 32 | 20.8 | | | | | | | | | | | | | 32 |
| 34 | 19.3 | 19.2 | | | | | | | | | | | | 34 |
| 36 | 18.0 | 17.8 | 17.6 | 17.3 | | | | | | | | | | 36 |
| 38 | 16.9 | 16.7 | 16.4 | 16.2 | 16.0 | | | | | | | | | 38 |
| 40 | | 15.7 | 15.5 | 15.2 | 14.9 | 14.7 | | | | | | | | 40 |
| 44 | | | 13.7 | 13.4 | 13.3 | 13.0 | 12.7 | 12.5 | | | | | | 44 |
| 48 | | | | | 11.8 | 11.6 | 11.3 | 11.1 | 10.9 | 10.6 | 10.4 | | | 48 |
| 52 | | | | | | 10.4 | 10.1 | 10.0 | 9.8 | 9.4 | 9.2 | 9.0 | 8.7 | 52 |
| 56 | | | | | | | 9.0 | 8.9 | 8.7 | 8.4 | 8.3 | 8.1 | 7.7 | 56 |
| 60 | | | | | | | | | 7.7 | 7.5 | 7.3 | 7.1 | 6.9 | 60 |
| 64 | | | | | | | | | | 6.8 | 6.6 | 6.4 | 6.1 | 64 |
| 68 | | | | | | | | | | | 5.8 | 5.7 | 5.4 | 68 |
| 72 | | | | | | | | | | | | | 4.9 | 72 |
| 配重 | 86+25 | 86+25 | 86+25 | 86+25 | 86+25 | 86+25 | 86+25 | 86+25 | 86+25 | 86+25 | 86+25 | 86+25 | 86+25 | 配重 |
| 倍率 | 2 | 2 | 2 | 2 | 2 | 2 | 1 | 1 | 1 | 1 | 1 | 1 | 1 | 倍率 |

LJ工况载荷表

SCC2600A-2 履带起重机 -LJ 工况载荷表 3/4

变幅副臂吊钩带载, 主臂 49m, 主臂 65°, 带加长臂吊钩

| 臂长 (m) 半径 (m) | 22 | 25 | 28 | 31 | 34 | 37 | 40 | 43 | 46 | 49 | 52 | 55 | 58 | 臂长 (m) 半径 (m) |
|------------------|------------|------------|------------|------------|------------|------------|------------|------------|------------|------------|------------|------------|------------|------------------|
| 36 | 16.0 | | | | | | | | | | | | | 36 |
| 38 | 14.9 | 14.7 | | | | | | | | | | | | 38 |
| 40 | 14.0 | 13.8 | 13.6 | | | | | | | | | | | 40 |
| 44 | 12.3 | 12.2 | 12.0 | 11.7 | 11.4 | | | | | | | | | 44 |
| 48 | | | 10.6 | 10.4 | 10.2 | 10.0 | 9.6 | 9.4 | | | | | | 48 |
| 52 | | | | 9.2 | 9.1 | 8.9 | 8.6 | 8.4 | 8.2 | 7.8 | | | | 52 |
| 56 | | | | | | 8.0 | 7.6 | 7.4 | 7.2 | 6.9 | 6.7 | 6.5 | | 56 |
| 60 | | | | | | | 6.8 | 6.7 | 6.5 | 6.1 | 5.9 | 5.7 | 5.4 | 60 |
| 64 | | | | | | | | 5.9 | 5.7 | 5.5 | 5.3 | 5.1 | 4.8 | 64 |
| 68 | | | | | | | | | | 4.9 | 4.7 | 4.5 | 4.2 | 68 |
| 72 | | | | | | | | | | | 4.1 | 3.9 | 3.7 | 72 |
| 76 | | | | | | | | | | | | 3.4 | 3.2 | 76 |
| 配重 倍率 | 86+25 2 | 86+25 2 | 86+25 2 | 86+25 2 | 86+25 2 | 86+25 1 | 86+25 1 | 86+25 1 | 86+25 1 | 86+25 1 | 86+25 1 | 86+25 1 | 86+25 1 | 配重 倍率 |

SCC2600A-2 履带起重机 -LJ 工况载荷表 4/4

变幅副臂吊钩带载, 主臂 58m, 主臂 65°, 带加长臂吊钩

| 臂长 (m) 半径 (m) | 22 | 25 | 28 | 31 | 34 | 37 | 40 | 43 | 46 | 49 | 52 | 55 | 58 | 臂长 (m) 半径 (m) |
|------------------|------------|------------|------------|------------|------------|------------|------------|------------|------------|------------|------------|------------|------------|------------------|
| 40 | 11.6 | | | | | | | | | | | | | 40 |
| 44 | 10.3 | 10.1 | 9.9 | | | | | | | | | | | 44 |
| 48 | | 9.0 | 8.7 | 8.4 | 8.2 | | | | | | | | | 48 |
| 52 | | | 7.8 | 7.5 | 7.3 | 7.1 | 6.8 | 6.6 | | | | | | 52 |
| 56 | | | | 6.7 | 6.5 | 6.3 | 6.0 | 5.8 | 5.6 | 5.3 | | | | 56 |
| 60 | | | | | | 5.6 | 5.3 | 5.2 | 5.0 | 4.7 | 4.5 | 4.2 | | 60 |
| 64 | | | | | | | 4.7 | 4.6 | 4.4 | 4.1 | 3.9 | 3.7 | 3.4 | 64 |
| 68 | | | | | | | | 4.0 | 3.9 | 3.6 | 3.4 | 3.2 | 2.9 | 68 |
| 72 | | | | | | | | | | 3.1 | 3.0 | 2.8 | 2.5 | 72 |
| 76 | | | | | | | | | | | 2.5 | 2.4 | 2.1 | 76 |
| 配重 倍率 | 86+25 2 | 86+25 2 | 86+25 2 | 86+25 1 | 86+25 1 | 86+25 1 | 86+25 1 | 86+25 1 | 86+25 1 | 86+25 1 | 86+25 1 | 86+25 1 | 86+25 1 | 配重 倍率 |



浙江三一装备有限公司

中国浙江省湖州市吴兴区戴山路2087号三一产业园

邮编Zip 313028

售后服务热线Service 400 887 8318

咨询投诉电话Consulting 400 887 9318

代理商信息

由于技术不断更新,技术参数及配置如有更改,恕不另行通知。图片上的机器可能包括附加设备。本画册仅供参考,以实物为准。

版权为三一重工所有,未经三一重工书面许可,本目录任何部分的内容不得被复制或抄袭用于任何目的。

© 中国印刷 2021年8月版

www.sany.com.cn



三一重起微信公众号
即刻扫描,了解更多详情